

Technical Data Sheet

CODE 61023

NORDIK HEAVY DUTY 200

Reversible heavy duty ceiling fans



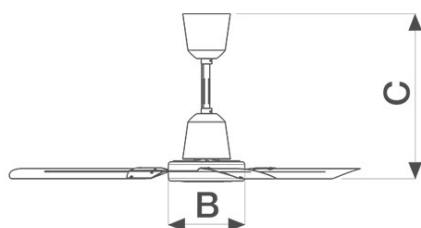
Certifications



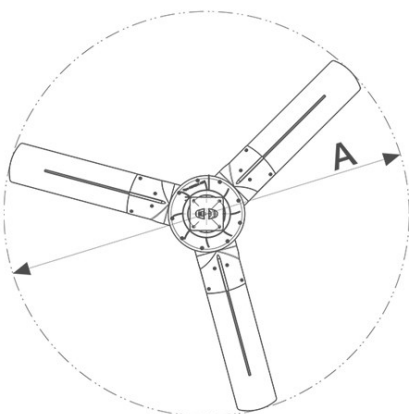
TECHNICAL AND PERFORMANCE DATA

Fan diameter	2000	Voltage (V)	230
Frequency (Hz)	50	Weight (Kg)	9,5
Insulation class	I°	Max airflow (m ³ /h)	22050
IP	55	Max airflow (m ³ /min)	367,5
Max absorbed current (A)	0,38	Max flow speed (m/s)	1,35
Max absorbed power (W)	85	RPM	186
Max ambient temperature for continuous operation (°C)	50	Service value (m ³ /min)/W	4,32
Motor power (W)	85	Sound power Lw [dB(A)]	56,4
		Sound pressure Lp [dB (A)] at 3 m	38,85

DIMENSIONS



Size A (mm)	Ø
	2000
Size B (mm)	Ø 230
Size C (mm)	495



PER INFORMAZIONI:

Servizio al Cliente: tel +39 02 90699395 premendo 1 dopo messaggio registrato (consulenza su prodotti e impianti)

Pre & Post Vendita: fax +39 02 90699302

Email prevendita: prevendita@vortice-italy.com

Technical Data Sheet

CODE 61023

NORDIK HEAVY DUTY 200

Reversible heavy duty ceiling fans



DESCRIPTION

- Die-casted epoxy painted motor covers, colour black, sealed with EPDM gaskets to prevent dust or water entry.
- Cups made of electrogalvanized steel plate protected by a double layer of epoxy paint.
- Nominal diameter of blades 2000 mm.
- Single-phase external rotor motor, shaft mounted on ball bearings.
- 3 blades made of electrogalvanized steel plate protected by a double layer of epoxy paint.
- 4 hole support plate compatible with different types of ceilings, even highly slanted.
- Lifeline to prevent any risk of falling in case of uncorrect installation of the product.
- Possibility of automatic adjustment of up to 16 fans simultaneously, in relation to the differential measured by two temperature sensors (VORT DELTA T optional).
- Nuts and bolts, ceiling hook and rubber made damper supplied with the product.
- Adjustable speed control through auto-transformer or multiple electronic devices allowed (optionals)

ACCESSORIES



ASTA DI SOSTEGNO L.290 HEAVY DUTY

Code 22717



ASTA DI SOSTEGNO L.665 HEAVY DUTY

Code 22718



ASTA DI SOSTEGNO L.915 HEAVY DUTY

Code 22719



SET PALE D.200 HEAVY DUTY

Code 22727



SCRR5

Code 12963



SCRR/M

Code 12965



VORT DELTA T

Code 13039

PER INFORMAZIONI:

Servizio al Cliente: tel +39 02 90699395 premendo 1 dopo messaggio registrato (consulenza su prodotti e impianti)

Pre & Post Vendita: fax +39 02 90699302

Email prevendita: prevendita@vortice-italy.com