

Technical Data Sheet

CODE 61081

NORDIK HVLS SUPER BLADE 400/160"

Industrial ceiling fans



Certifications

CE CE

UL UL

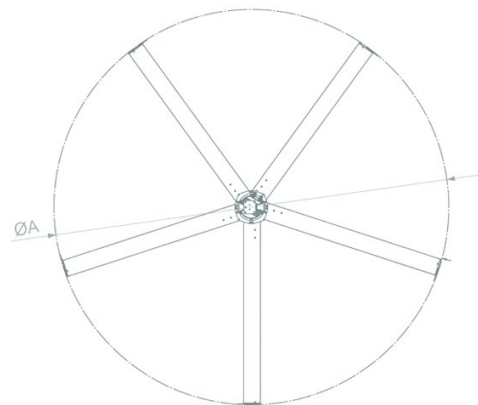
TECHNICAL AND PERFORMANCE DATA

| | | | |
|------------------------|-------|----------------------------------|---------|
| Absorbed Power max (W) | 650 | Numero pale | 5 |
| Diametro nominale (m) | 4 | Voltage (V) | 200-480 |
| Frequency (Hz) | 50-60 | Weight (Kg) | 94 |
| IP | 65 | Delivery max (m ³ /h) | 370.000 |
| Nominal Current (A) | 1,67 | RPM max | 100 |
| | | Sound power level Lw [dB(A)] | <55 |

DIMENSIONS



| | |
|-----------------|-------|
| Diametro A (mm) | Ø4000 |
| Size B (mm) | 1880 |
| Size C (mm) | 1470 |



PER INFORMAZIONI:

Servizio al Cliente: tel +39 02 90699395 premendo 1 dopo messaggio registrato (consulenza su prodotti e impianti)

Pre & Post Vendita: fax +39 02 90699302

Email prevendita: prevendita@vortice-italy.com

Technical Data Sheet

CODE 61081

NORDIK HVLS SUPER BLADE 400/160"



Industrial ceiling fans

DESCRIPTION

- Nominal diameter of blades: 400 cm.
- Three-phase EC (brushless) motor, thermally insulated.
- Aero-foil blades made of extruded aluminium, equipped with winglets able to decrease the drag caused by wingtip vortices.
- Electronic board allowing power management and functioning control, with EMI/EMC filters to prevent risks of electromagnetic interference, housed in motor covers. The electronic board includes:
 - o A modbus RTU 485 communication port, allowing BMS integration.
 - o An insulated analogic port allowing the fan speed regulation through the external potentiometer (available as optional) or through another 0-10 V signal working device.
- Safety system integrated into the electronic board including protection against overcurrent, short circuit, overheating, overvoltage and under-voltage.
- External Led light able to show possible product malfunctions.
- Steel sheet ceiling installation kit composed of rod (nominal length 1,5 m), a pair of brackets and relative metal parts, supplied as standard.

This kit allows the correct and robust device mounting to the ceiling in the most common installation type.

- Optional kit consisting of a pair of rods, designed to allow greater axial stability. This kit is mandatory in case of:
 - o Strong wind.
 - o Risk of accidental collisions with machines or objects in motion near the ceiling fan.
 - o Presence of birds.
 - o Seismic zone installation or areas characterized by vibrations (ex. Industrial processes involving the use of hammers or industrial presses).
- Adjustable speed through potentiometer or remote control unit (VORT T) able to handle up to 20 units (control units supplied as optional).
- Motor protection class IP65.

ACCESSORIES



HVLS SUPER BLADE-RD

Code 21136



VORT T

Code 21137



POT

Code 12828



POT-I

Code 12832



WP

Code 21197



USB-C

Code 21198

PER INFORMAZIONI:

Servizio al Cliente: tel +39 02 90699395 premendo 1 dopo messaggio registrato (consulenza su prodotti e impianti)

Pre & Post Vendita: fax +39 02 90699302

Email prevendita: prevendita@vortice-italy.com