

Technical Data Sheet

CODE 61076

NORDIK HVLS SUPER BLADE 700/280" S

Industrial ceiling fans



Certifications



CE



UL



ETL

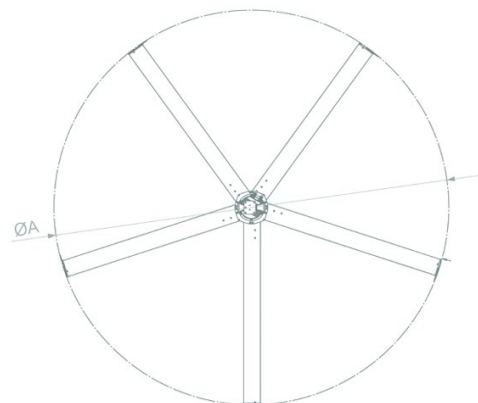
TECHNICAL AND PERFORMANCE DATA

Absorbed Power max (W)	665	Numero pale	5
Diametro nominale (m)	7	Voltage (V)	200-480
Frequency (Hz)	50-60	Weight (Kg)	140
IP	65	Delivery max (m ³ /h)	850.000
Max ambient temperature for continuous operation (°C)	50	Pressione Sonora Lp [dB (A)] in campo libero- 5m	<45
Nominal Current (A)	1,65	RPM max	50

DIMENSIONS



Diametro A (mm)	Ø7000
Size B (mm)	1880
Size C (mm)	1470



PER INFORMAZIONI:

Servizio al Cliente: tel +39 02 90699395 premendo 1 dopo messaggio registrato (consulenza su prodotti e impianti)

Pre & Post Vendita: fax +39 02 90699302

Email prevendita: prevendita@vortice-italy.com

Technical Data Sheet

CODE 61076

NORDIK HVLS SUPER BLADE 700/280" S



Industrial ceiling fans

DESCRIPTION

- Nominal diameter of blades: 700 cm.
- Three-phase EC (brushless) motor, thermally insulated, able to supply higher performances ("S" version).
- Aero-foil blades made of extruded aluminium, equipped with winglets able to decrease the drag caused by wingtip vortices.
- Electronic board allowing power management and functioning control, with EMI/EMC filters to prevent risks of electromagnetic interference, housed in motor covers. The electronic board includes:
 - A ModBus RTU 485 communication port, allowing BMS integration,
 - An insulated analogic port allowing the fan speed regulation through the external potentiometer (available as optional) or through another 0-10 V signal working device.
- Safety system integrated into the electronic board including protection against overcurrent, short circuit, overheating, overvoltage and under-voltage.
- External Led light able to show possible product malfunctions.
- Steel sheet ceiling installation kit composed of rod (nominal length 1,5 m), a pair of brackets and relative metal parts, supplied as standard. This kit allows the correct and robust device mounting to the ceiling in the most common installation type.
- Optional kit consisting of a pair of rods, designed to allow greater axial stability. This kit is mandatory in case of:
 - Strong wind,
 - Risk of accidental collisions with machines or objects in motion near the ceiling fan,
 - Presence of birds,
 - Seismic zone installation or areas characterized by vibrations (ex. Industrial processes involving the use of hammers or industrial presses).
- Adjustable speed through potentiometer or remote control unit (VORT T) able to handle up to 20 units (control units supplied as optional).
- Motor protection class IP65.

ACCESSORIES



VORT T

Code 21137



POT

Code 12828



POT-I

Code 12832



USB-C

Code 21198



WP

Code 21197

PER INFORMAZIONI:

Servizio al Cliente: tel +39 02 90699395 premando 1 dopo messaggio registrato (consulenza su prodotti e impianti)

Pre & Post Vendita: fax +39 02 90699302

Email prevendita: prevendita@vortice-italy.com