

# Technical Data Sheet

CODE 61027

## NORDIK HEAVY DUTY 200 INOX

Reversible heavy duty ceiling fans



### Certifications



IMQ

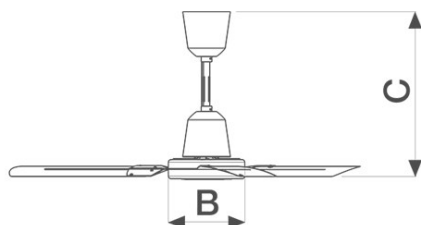


CE

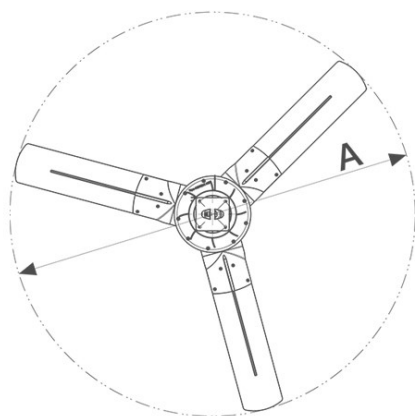
### TECHNICAL AND PERFORMANCE DATA

Absorbed Current max (A)	0,38	Voltage (V)	230
Absorbed Power max (W)	85	Weight (Kg)	9,1
Blades diameter	2000	Airflow speed at max speed (m/s)	1,35
Frequency (Hz)	50	Delivery max (m <sup>3</sup> /h)	22050
Insulation Class	I°	Delivery max (m <sup>3</sup> /min)	367,5
IP	55	RPM	186
Max ambient temperature for continuous operation (°C)	50	Service value (m <sup>3</sup> /min)/W	4,32
Motor Power (W)	85	Sound power level Lw [dB(A)]	56,4
		Sound Pressure level Lp [dB (A)] 3m	38,85

### DIMENSIONS



Size A (mm)	∅
Size B (mm)	∅ 230
Size C (mm)	495



#### PER INFORMAZIONI:

**Servizio al Cliente:** tel +39 02 90699395 premendo 1 dopo messaggio registrato (consulenza su prodotti e impianti)

**Pre & Post Vendita:** fax +39 02 90699302

**Email prevendita:** prevendita@vortice-italy.com

# Technical Data Sheet

CODE 61027

## NORDIK HEAVY DUTY 200 INOX



Reversible heavy duty ceiling fans

### DESCRIPTION

- Die-casted epoxy painted motor covers, colour black, sealed with EPDM gaskets to prevent dust or water entry.
- Cups made of AISI 304 stainless steel .
- Nominal diameter of blades 2000 mm.
- Single-phase external rotor motor, shaft mounted on ball bearings.
- 3 blades made of AISI 304 stainless steel.
- 4 hole support plate compatible with different types of ceilings, even highly slanted.
- Lifeline to prevent any risk of falling in case of uncorrect installation

- Possibility of automatic adjustment of up to 16 fans simultaneously, in relation to the differential measured by two temperature sensors (VORT DELTA T optional).
- Nuts and bolts, ceiling hook and rubber made damper supplied with the product.
- Adjustable speed control through auto-transformer or multiple electronic devices allowed (optionals)

### ACCESSORIES



#### ASTA DI SOSTEGNO L.290 HEAVY DUTY INOX

Code 22721



#### ASTA DI SOSTEGNO L.665 HEAVY DUTY INOX

Code 22722



#### ASTA DI SOSTEGNO L.915 HEAVY DUTY INOX

Code 22723



#### SET PALE D.200 HEAVY DUTY INOX

Code 22731



#### SCRR5

Code 12963



#### VORT DELTA T

Code 13039



#### SCRR/M

Code 12965

#### PER INFORMAZIONI:

Servizio al Cliente: tel +39 02 90699395 premendo 1 dopo messaggio registrato (consulenza su prodotti e impianti)

Pre & Post Vendita: fax +39 02 90699302

Email prevendita: [prevendita@vortice-italy.com](mailto:prevendita@vortice-italy.com)