

# Technical Data Sheet

CODE 12106

## VORT HR 350 AVEL

Wall-mounting residential heat recovery unit

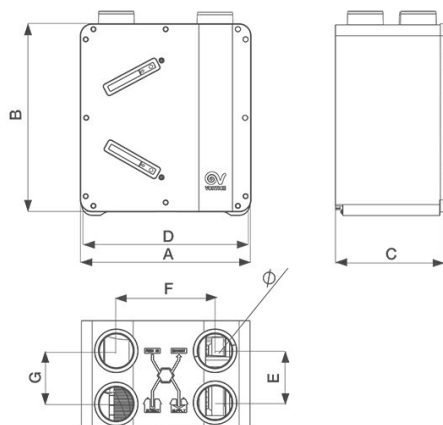


æŠ-“ñŕß-“Ûî

### TECHNICAL AND PERFORMANCE DATA

Absorbed Current max (A)	1,4	Weight (Kg)	23
Absorbed Power max (W)	165	Delivery max (l/s)	100
Filter class	F5	Delivery max (m³/h)	350
Frequency (Hz)	50	Pressure max (mmH <sub>2</sub> O)	90,5
Insulation Class	I°	Pressure max (Pa)	880
IP	X2	Sound power level - radiated L <sub>w</sub> [dB(A)]	57,3
Max ambient temperature for continuous operation (°C)	25	Sound power level exhaust inlet L <sub>w</sub> [dB(A)]	43,6
Max Temperature of Exhaust Air (Continuous Operation)	40	Sound power level supply outlet L <sub>w</sub> [dB(A)]	60,2
Min ambient temperature for continuous operation (°C)	0	Sound pressure level air extraction L <sub>p</sub> [dB (A)] 3m - max speed	23,1
Nominal Diameter (mm)	150	Sound pressure level air supply L <sub>p</sub> [dB (A)] 3m - max speed	39,7
Voltage (V)	230	Sound pressure level radiated L <sub>p</sub> [dB (A)] 3m - max speed	36,8

### DIMENSIONS



Size A (mm)	712
Size B (mm)	845
Size C (mm)	455
Size D (mm)	700
Size E (mm)	215
Size F (mm)	410
Size G (mm)	220
Size H (mm)	∅
	150

#### PER INFORMAZIONI:

Servizio al Cliente: tel +39 02 90699395 premendo 1 dopo messaggio registrato (consulenza su prodotti e impianti)

Pre & Post Vendita: fax +39 02 90699302

Email prevendita: prevendita@vortice-italy.com

# Technical Data Sheet

CODE 12106

## VORT HR 350 AVEL

Wall-mounting residential heat recovery unit



### DESCRIPTION

mounted installation supplied as standard.

access.

- Round duct connection ports, nominal diameter 150 mm.
- 2 EC (brushless) motors, external rotor, with shaft turning in ball bearings to grant a "maintenance free" functioning, each coupled to a backward curved centrifugal impeller; 2 speeds, independently adjustable at the installation.

access.

- Automatic frost-protection to prevent icing on the heat exchanger.
- Condense water tray with discharge pipes.
- Possibility of connection to environmental external sensors (available as optional), for automatic functioning control.

- Wired control panel with LCD display, which allows:

- to switch on / off the unit;
- to set the speed;
- to set the weekly timer;
- to show time and room temperature;
- to monitor the correct product operation (any faults are shown on the display);
- access for periodic maintenance.
- Condense water tray with discharge pipes.
- Possibility of connection to environmental external sensors (available as optional), for automatic functioning control.

### ACCESSORIES



**C TEMP**  
Code 12992



**C SMOKE**  
Code 12993



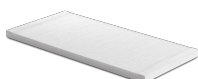
**CHCS**  
Code 12994



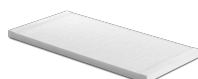
**C PIR**  
Code 12998



**ELECTRIC  
HEATER 750**  
Code 22735



**FTR G3**  
198X398X15  
Code 22661



**FTR M5**  
198X398X15  
Code 22662



**KIT FISSAGGIO  
A PAVIMENTO  
AVEL**  
Code 22663



**FTR F7**  
198X398X15

PER INFORMAZIONI:

Servizio al Cliente: tel +39 02 90699395 premando 1 dopo messaggio registrato (consulenza su prodotti e impianti)

Pre & Post Vendita: fax +39 02 90699302

Email prevendita: prevendita@vortice-italy.com