

# Technical Data Sheet

CODE 11317

## ME 100/4" LL T ORO ROSA- PINK GOLD



Wall axial fan



### Certifications



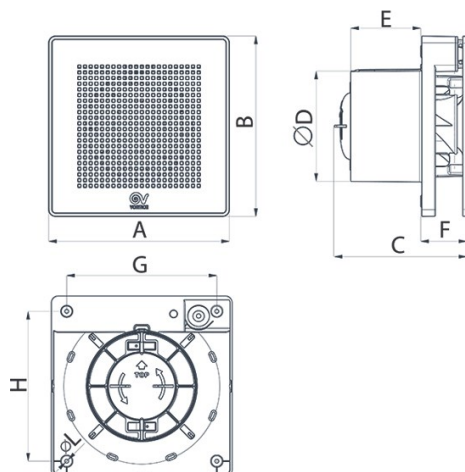
IMQ Performance



### TECHNICAL AND PERFORMANCE DATA

|   |                 |   |       |
|---|-----------------|---|-------|
| Absorbed power 1st speed (W)                          | 5               | Delivery 1st speed (m <sup>3</sup> /h)                      | 65    |
| Frequency (Hz)  | 50              | Max delivery at max speed (l/s)                             | 26,4  |
| Insulation Class                                      | II <sup>o</sup> | Max delivery at max speed (m <sup>3</sup> /h)               | 95    |
| IP  | 45              | Pressure - 1st speed (mmH2O)                                | 2,5   |
| Max ambient temperature for continuous operation (°C) | 50              | Pressure - 1st speed (Pa)                                   | 24,52 |
| Max. absorbed Current at max. speed (A)               | 0,052           | Pressure max - max speed (mmH2O)                            | 4,7   |
| Max. absorbed Current at min. speed (A)               | 0,039           | Pressure max - max speed (Pa)                               | 46,09 |
| Max. absorbed power at max speed (W)                  | 9               | RPM max   | 2240  |
| Nominal Diameter (mm)                                 | 100             | RPM min   | 1700  |
| Voltage (V)   | 220-240         | Sound power Lw [dB(A)] - min speed                          | 41,3  |
| Weight (Kg)   | 0,6             | Sound power Lw [dB(A)] - max speed                          | 47,4  |
| Delivery 1st speed (l/s)                              | 18,1            | Sound pressure level Lp in free field [dB(A)] 3 m max speed | 26,9  |
|   |                 | Sound pressure level Lp in free field [dB(A)] 3 m min speed | 20,8  |

### DIMENSIONS



|             |       |
|-------------|-------|
| Size A (mm) | 159   |
| Size B (mm) | 159   |
| Size C (mm) | 116,5 |
| Size D (mm) | ∅ 98  |
| Size E (mm) | 61,5  |
| Size F (mm) | 40,5  |
| Size G (mm) | 132   |
| Size H (mm) | 132   |
| Size L (mm) | ∅ 3,5 |

#### PER INFORMAZIONI:

Servizio al Cliente: tel +39 02 90699395 premendo 1 dopo messaggio registrato (consulenza su prodotti e impianti)

Pre & Post Vendita: fax +39 02 90699302

Email **prevendita**: [prevendita@vortice-italy.com](mailto:prevendita@vortice-italy.com)

# Technical Data Sheet

CODE 11317

## ME 100/4" LL T ORO ROSA- PINK GOLD

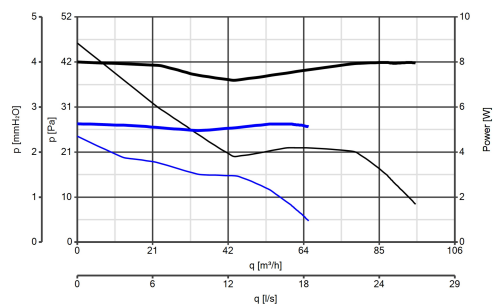


Wall axial fan

### DESCRIPTION

- Material: PINK GOLD UV resistant plastic (prevents ageing caused by exposure to sunlight), with colouring obtained by way of treatment using nano technologies.
- Nominal diameter 100 mm.
- Motor protected against thermal overload, with shaft turning in ball bearings; 2 operating speeds controlled electronically from pcb.
- Air flow between 65 m<sup>3</sup>/h and 95 m<sup>3</sup>/h.
- Version with simplified timer, operating at one speed: the appliance is equipped with a pcb providing a delayed switch-off function. The length of the switch-off delay, as well as the single operating speed, min or max, can be set during installation.
- Equipped with non-return damper preventing unwanted backdraught when the fan is off.
- IMQ Safety and IMQ Performance certifications.

### CURVES



#### PER INFORMAZIONI:

**Servizio al Cliente:** tel +39 02 90699395 premendo 1 dopo messaggio registrato (consulenza su prodotti e impianti)

**Pre & Post Vendita:** fax +39 02 90699302

**Email prevendita:** [prevendita@vortice-italy.com](mailto:prevendita@vortice-italy.com)