

# Technical Data Sheet

CODE 11270

## ME 120/5" LL

Wall axial fans



### Certifications



IMQ



CE



IMQ Performance

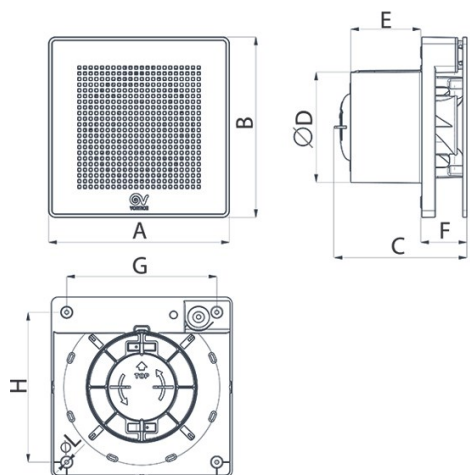


EAC

### TECHNICAL AND PERFORMANCE DATA

Frequency (Hz)	50	Airflow at 1st speed (m <sup>3</sup> /h)	120
Insulation class	II°	Max airflow at Max speed (l/s)	48,6
IP	45	Max airflow at Max speed (m <sup>3</sup> /h)	175
Max absorbed current at Max speed (A)	0,080	Max pressure at Max speed (mmH2O)	5
Max absorbed current at Min speed (A)	0,060	Max pressure at Max speed (Pa)	49,04
Max absorbed power at Max speed (W)	15	Max RPM	2070
Max ambient temperature for continuous operation (°C)	50	Min RPM	1490
Nominal diameter (mm)	120	Pressure at 1st speed (mmH2O)	2,3
Power absorbed at 1st speed (W)	10	Pressure at 1st speed (Pa)	22,56
Voltage (V)	220-240	Sound power at Min speed LWA [dB(A)]	44,5
Weight (Kg)	0,77	Sound power at Min speed LWA [dB(A)]	52,8
Airflow at 1st speed (l/s)	33,3	Sound pressure at 3m at Max speed calculated in free field Lp [dB(A)]	32,3
		Sound pressure at 3m at Min speed calculated in free field Lp [dB(A)]	24,0

### DIMENSIONS



Size A (mm)	179
Size B (mm)	179
Size C (mm)	127
Size D (mm)	∅ 118
Size E (mm)	71
Size F (mm)	42,5
Size G (mm)	152
Size H (mm)	152
Size L (mm)	∅ 3,5

#### PER INFORMAZIONI:

Servizio al Cliente: tel +39 02 90699395 premendo 1 dopo messaggio registrato (consulenza su prodotti e impianti)

Pre & Post Vendita: fax +39 02 90699302

Email prevendita: prevendita@vortice-italy.com

# Technical Data Sheet

CODE 11270

## ME 120/5" LL

Wall axial fans



---

### DESCRIPTION

- Material: UV resistant white plastic (prevents ageing caused by exposure to sunlight).
- Nominal diameter 120 mm.
- Motor protected against thermal overload, with shaft turning in ball bearings; 2 operating speeds controlled electronically from pcb.
- Air flow between 120 m<sup>3</sup>/h and 175 m<sup>3</sup>/h.
- Equipped with non-return damper preventing unwanted backdraught when the fan is off.
- IMQ safety certification.

### CURVES

□

#### PER INFORMAZIONI:

**Servizio al Cliente:** tel +39 02 90699395 premendo 1 dopo messaggio registrato (consulenza su prodotti e impianti)

**Pre & Post Vendita:** fax +39 02 90699302

**Email prevendita:** [prevendita@vortice-italy.com](mailto:prevendita@vortice-italy.com)