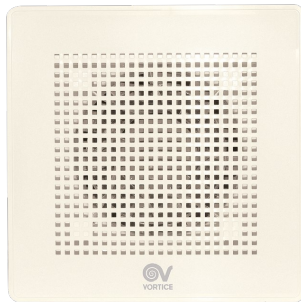


Technical Data Sheet

CODE 11269

ME 120/5" ES

Energy Saving wall axial fans



Certifications



IMQ



CE



IMQ Performance

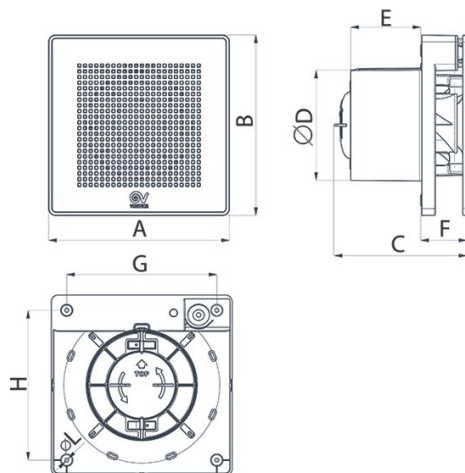


EAC

TECHNICAL AND PERFORMANCE DATA

| | | | |
|---|-------|---|------|
| Frequency (Hz) | 50 | Airflow at 1st speed (m ³ /h) | 130 |
| Insulation class | II° | Max airflow at Max speed (l/s) | 50 |
| IP | 45 | Max airflow at Max speed (m ³ /h) | 180 |
| Max absorbed current at Max speed (A) | 0,068 | Max pressure at Max speed (mmH20) | 5,8 |
| Max absorbed current at Min speed (A) | 0,040 | Max pressure at Max speed (Pa) | 56,9 |
| Max absorbed power at Max speed (W) | 7,0 | Max RPM | 2150 |
| Max ambient temperature for continuous operation (°C) | 50 | Min RPM | 1680 |
| Nominal diameter (mm) | 120 | Pressure at 1st speed (mmH20) | 3,6 |
| Power absorbed at 1st speed (W) | 3,3 | Pressure at 1st speed (Pa) | 35,3 |
| Voltage (V) | 230 | Sound power at Min speed LWA [dB(A)] | 46,7 |
| Weight (Kg) | 0,8 | Sound power at Min speed LWA [dB(A)] | 53,8 |
| Airflow at 1st speed (l/s) | 36,1 | Sound pressure at 3m at Max speed calculated in free field Lp [dB(A)] | 33,3 |
| | | Sound pressure at 3m at Min speed calculated in free field Lp [dB(A)] | 26,2 |

DIMENSIONS



| | |
|-------------|-------|
| Size A (mm) | 179 |
| Size B (mm) | 179 |
| Size C (mm) | 138 |
| Size D (mm) | ∅ 118 |
| Size E (mm) | 81 |
| Size F (mm) | 42,5 |
| Size G (mm) | 152 |
| Size H (mm) | 152 |
| Size L (mm) | ∅ 3.5 |

PER INFORMAZIONI:

Servizio al Cliente: tel +39 02 90699395 premendo 1 dopo messaggio registrato (consulenza su prodotti e impianti)

Pre & Post Vendita: fax +39 02 90699302

Email prevendita: prevendita@vortice-italy.com

Technical Data Sheet

CODE 11269

ME 120/5" ES

Energy Saving wall axial fans



DESCRIPTION

- Material: UV resistant plastic (prevents ageing caused by exposure to sunlight).
- Nominal diameter: 120 mm
- EC motor protected against thermal overload, with shaft turning in ball bearings; 2 operating speeds controlled electronically from pcb.
- Maximum air flow 130 m³/h
- Equipped with non-return damper preventing unwanted backdraught when the fan is off.
- Fixed timer: the product works for 6 minutes at maximum speed, then automatically return to minimum.
- IMQ safety certification.

CURVES

□

PER INFORMAZIONI:

Servizio al Cliente: tel +39 02 90699395 premendo 1 dopo messaggio registrato (consulenza su prodotti e impianti)

Pre & Post Vendita: fax +39 02 90699302

Email prevendita: prevendita@vortice-italy.com