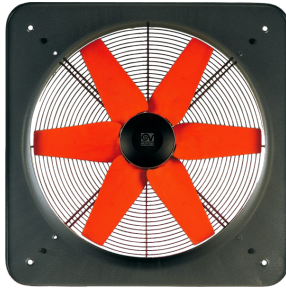


# Technical Data Sheet

CODE 41219

## E 504 M

Low-pressure plate axial fans



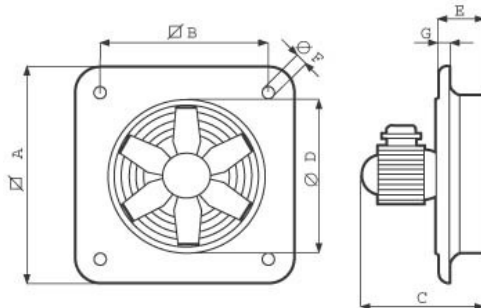
## Certifications



## TECHNICAL AND PERFORMANCE DATA

Absorbed Current at 220 V (A)	0,90	Motor IP protection	44
Absorbed Current at 240 V (A)	0,92	Nominal Diameter (mm)	500
Absorbed Current max (A)	0,92	Number of Poles	4
Absorbed Power at 220 V (W)	200	Voltage (V)	220-240
Absorbed Power at 240 V (W)	220	Weight (Kg)	8,6
Absorbed Power max (W)	220	Delivery max (l/s)	1250
Frequency (Hz)	50	Delivery max (m <sup>3</sup> /h)	4500
Insulation Class	1°	Pressure max (mmH <sub>2</sub> O)	6,0
Max ambient temperature for continuous operation (°C)	70	Pressure max (Pa)	59
Max Temperature of Exhaust Air (Continuous Operation)	70	RPM	1400

## DIMENSIONS



Size A (mm)	630
Size B (mm)	530
Size C (mm)	269
Size D (mm)	∅
	510
Size E (mm)	85
Size F (mm)	∅ 12
Size G (mm)	15

### PER INFORMAZIONI:

**Servizio al Cliente:** tel +39 02 90699395 premendo 1 dopo messaggio registrato (consulenza su prodotti e impianti)

**Pre & Post Vendita:** fax +39 02 90699302

**Email prevendita:** prevendita@vortice-italy.com

# Technical Data Sheet

CODE 41219

## E 504 M

Low-pressure plate axial fans



### DESCRIPTION

- Nominal diameter 500 mm
- Wall-mounting panel manufactured from phosphated pressed steel, polyester powder coated with hammered effect finish, guaranteeing long-term resistance to atmospheric agents.
- Ventilation port fashioned in one piece with the panel and gauged to optimize air flow.
- Protective grille (in accordance with UNI ISO 13857 standard) combining the function of motor bracket, made of electrically welded steel with epoxy paint finish, colour black. Easy removal simplifies maintenance and cleaning of the fan.
- 1 speed asynchronous single phase AC motor with shaft turning in double shielded ball bearings, insulation class F.
- Maximum air flow: 4,500 m<sup>3</sup>/h.
- Impeller with 6 wing profile blades keyed to a diecast aluminium hub and dynamically balanced (UNI ISO 1940 – Balancing class 6.3), optimized to deliver maximum performance and low noise levels, moulded from filled polypropylene for superior dimensional stability and resistance to atmospheric agents.
- Vortice speed controller.

### ACCESSORIES



#### IRM 30

Code 12921



#### IREM 3 CD 99250080

Code 12931



#### IREM 5 CD 99250081

Code 12932



#### IREM 9 CD 99250082

Code 12933



#### PGR 450/500 (PERSIANA GRAVITA')

Code 50550



#### TRA 450/500 (TELAIO CON RETE ANTINF.)

Code 51550



#### IREM INVERTER 4 M

Code 12815

#### PER INFORMAZIONI:

Servizio al Cliente: tel +39 02 90699395 premendo 1 dopo messaggio registrato (consulenza su prodotti e impianti)

Pre & Post Vendita: fax +39 02 90699302

Email prevendita: prevendita@vortice-italy.com