

Technical Data Sheet

CODE 17185

LINEO 100 T

Mixed flow extractor fans



Certifications



IMQ Performance

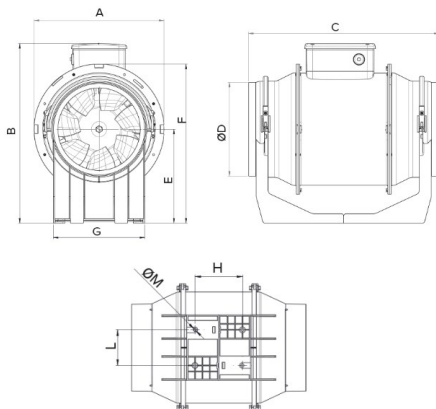


UKCA

TECHNICAL AND PERFORMANCE DATA

| | | | |
|---|---------|--|-------|
| Frequency (Hz) | 50 | Airflow at 1st speed (l/s) | 50 |
| Insulation class | II° | Airflow at 1st speed (m³/h) | 180 |
| IP | 44 | Max airflow at Max speed (l/s) | 70,8 |
| Max absorbed current at Max speed (A) | 0,11 | Max airflow at Max speed (m³/h) | 255 |
| Max absorbed current at Min speed (A) | 0,09 | Max pressure at Max speed (mmH2O) | 16,5 |
| Max absorbed power at Max speed (W) | 23 | Max pressure at Max speed (Pa) | 161,9 |
| Max ambient temperature for continuous operation (°C) | 60 | Max RPM | 2030 |
| Nominal diameter (mm) | 100 | Min RPM | 1520 |
| Power absorbed at 1st speed (W) | 20 | Pressure at 1st speed (mmH2O) | 13 |
| Voltage (V) | 220-240 | Pressure at 1st speed (Pa) | 127,5 |
| Weight (Kg) | 2 | Sound pressure at 3 m - min speed Lp [dB (A)] 3m - min speed | 30,7 |
| | | Sound pressure at 3m at Max speed Lp [dB (A)] | 39,4 |

DIMENSIONS



| | |
|-------------|-------|
| Size A (mm) | 188,5 |
| Size B (mm) | 211 |
| Size C (mm) | 303 |
| Size D (mm) | 96 |
| Size E (mm) | 101,5 |
| Size F (mm) | 189 |
| Size G (mm) | 90 |
| Size H (mm) | 80 |
| Size L (mm) | 60 |
| Size M (mm) | 5,5 |

PER INFORMAZIONI:

Servizio al Cliente: tel +39 02 90699395 premendo 1 dopo messaggio registrato (consulenza su prodotti e impianti)

Pre & Post Vendita: fax +39 02 90699302

Email prevendita: prevendita@vortice-italy.com

Technical Data Sheet

CODE 17185

LINEO 100 T

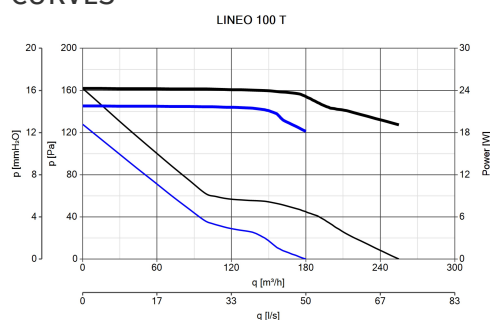
Mixed flow extractor fans



DESCRIPTION

- Enclosures made of fire resistant plastic resin, E2 class, according with ISO EN 11925-2: 2010, in areas close to motor and electrical components.
- Nominal diameter 100 mm.
- Induction motor, thermally protected, with shaft mounted on ball bearing supports, coupled with a centrifugal impeller.
- Equipped with an electronic timer for automatic operation at maximum speed, which can be set in the 3-20' range at the installation (default setting 3').
- High water resistance: IPX5 (if installed in a duct).
- Speed adjustable through Vortice speed devices.

CURVES



ACCESSORIES



DUO

Code 22914



LINEO-G 100

Code 22701



LINEO-PF 100

Code 22577



IN-LINE-S 100

Code 22551



LINEO-C 100

Code 22584

PER INFORMAZIONI:

Servizio al Cliente: tel +39 02 90699395 premendo 1 dopo messaggio registrato (consulenza su prodotti e impianti)

Pre & Post Vendita: fax +39 02 90699302

Email prevendita: prevendita@vortice-italy.com