

Technical Data Sheet

CODE 17152

LINEO 125 V0 ES

Energy saving mixed flow extractor fans



Certifications



CE

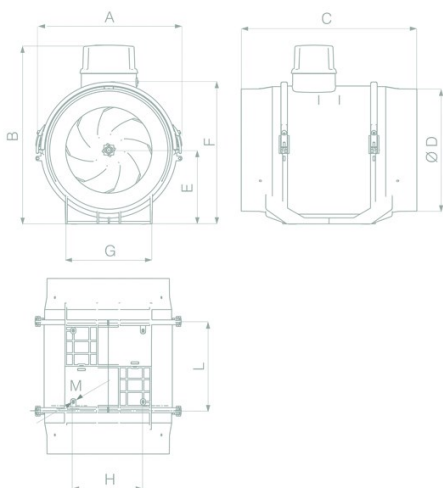


EAC

TECHNICAL AND PERFORMANCE DATA

Frequency (Hz)	50	Delivery 1st speed (l/s)	10
Insulation Class	II°	Delivery 1st speed (m ³ /h)	35
IP	44	Max delivery at max speed (l/s)	100
Max ambient temperature for continuous operation (°C)	60	Max delivery at max speed (m ³ /h)	360
Nominal Current at max speed (A)	0,25	Pressure - 1st speed (mmH2O)	0,2
Nominal Current at min speed (A)	0,05	Pressure - 1st speed (Pa)	2
Nominal Diameter (mm)	125	Pressure max - max speed (mmH2O)	31
Nominal Power at max speed (W)	25	Pressure max - max speed (Pa)	304
Nominal Power at min speed (W)	3	RPM max	2350
Voltage (V)	220-240	RPM min	300
Weight (Kg)	1,8	Sound pressure level Lp in free field [dB(A)] 3 m max speed	44,4

DIMENSIONS



Size A (mm)	188,5
Size B (mm)	240
Size C (mm)	258
Size D (mm)	122
Size E (mm)	101,5
Size F (mm)	189
Size G (mm)	90
Size H (mm)	60
Size L (mm)	80
Size M (mm)	6

PER INFORMAZIONI:

Servizio al Cliente: tel +39 02 90699395 premendo 1 dopo messaggio registrato (consulenza su prodotti e impianti)

Pre & Post Vendita: fax +39 02 90699302

Email prevendita: prevendita@vortice-italy.com

Technical Data Sheet

CODE 17152

LINEO 125 V0 ES

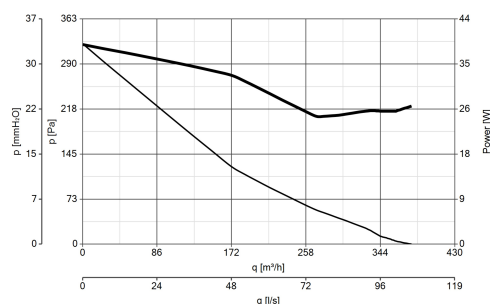
Energy saving mixed flow extractor fans



DESCRIPTION

- Material: self-extinguishing plastic resin (self-extinguishing capability V0)
- Nominal diameter: 125 mm.
- High efficiency EC (brushless) motor, thermally insulated, with shaft on ball bearings, coupled to a mixed flow impeller.
- Cylindrical motor support equipped with straightens flow and integrating the wiring connection box with airtight lid.
- Possibility of connection to remote sensors.
- A dedicated dip-switch allows to choice:
 - o 2 speed product functioning, settable during the installation and adjustable through optional two-speed switch,
 - o 1 speed product functioning, adjustable through 0-10V signal potentiometer (supplied as optional).

CURVES



ACCESSORIES



POT-IT
Code 12826



POT
Code 12828



C PIR
Code 12998



C TIMER
Code 12999



DUO
Code 22914



C TEMP
Code 12992



C SMOKE
Code 12993



C HCS
PER INFORMAZIONI:

Servizio al Cliente: tel +39 02 90699395 premendo 1 dopo messaggio registrato (consulenza su prodotti e impianti)
Pre & Post Vendita: fax +39 02 90699302
Email prevendita: prevendita@vortice-italy.com



LINEO-G 125

