

Technical Data Sheet

CODE 45279

VORT QBK-SAL KC T 560

Cabinet fans designed to extract hot, humid and dirty air



Certifications



CE

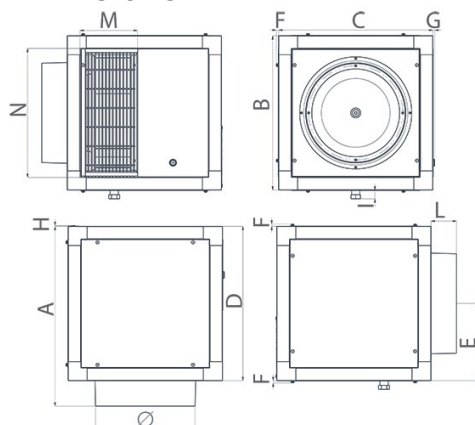


EAC

TECHNICAL AND PERFORMANCE DATA

| | | | |
|---|------|-------------------------------------|---------|
| Absorbed Current at 380 V (A) | 6.85 | Nominal Diameter (mm) | 560 |
| Absorbed Current at 415 V (A) | 6.87 | Number of Poles | 6 |
| Absorbed Power at 380 V (W) | 3520 | Voltage (V) | 380-415 |
| Absorbed Power at 415 V (W) | 3630 | Weight (Kg) | 100 |
| Frequency (Hz) | 50 | Delivery max (l/s) | 4500 |
| Insulation Class | I° | Delivery max (m³/h) | 16300 |
| IP | 55 | Pressure max (mmH2O) | 80 |
| Max ambient temperature for continuous operation (°C) | 50 | Pressure max (Pa) | 785 |
| Max Temperature of Exhaust Air (Continuous Operation) | 120 | RPM | 950 |
| Motor Class | H | Sound power level Lw [dB(A)] | 86.2 |
| Motor IP protection | 55 | Sound Pressure level Lp [dB (A)] 3m | 65.7 |

DIMENSIONS



| | |
|-------------|------|
| Size A (mm) | 1092 |
| Size B (mm) | 1011 |
| Size C (mm) | 1011 |
| Size D (mm) | 1011 |
| Size E (mm) | 506 |
| Size F (mm) | 8 |
| Size G (mm) | 6 |
| Size H (mm) | 3 |
| Size I (mm) | 28 |
| Size L (mm) | 82 |
| Size M (mm) | 408 |
| Size N (mm) | 930 |
| Size O (mm) | ∅ |
| | 558 |

PER INFORMAZIONI:

Servizio al Cliente: tel +39 02 90699395 premendo 1 dopo messaggio registrato (consulenza su prodotti e impianti)

Pre & Post Vendita: fax +39 02 90699302

Email prevendita: prevendita@vortice-italy.com

Technical Data Sheet

CODE 45279

VORT QBK-SAL KC T 560

Cabinet fans designed to extract hot, humid and dirty air



DESCRIPTION

- Cabinet: frames made of aluminium profiles; sandwich panels made of zinc-coated, 0,6 mm thick steel plates, lined with 23 mm thick rockwool.
- Circular part of inlet.
- Rectangular outlet. A specific optional adapter allows connection to circular pipes.
- Nominal diameter 560 mm.
- Three-phase ball bearings AC motor, located outside the airflow and separated from the impeller by a metal panel.
- Backward curved centrifugal impeller, dynamically balanced (ISO 1940, 6.3 class).
- Motor protection guard made of galvanised steel.
- Inspection panel with handle and triangular key.
- Condensate tray made of galvanised steel with drain point and blank nut for draining.
- Temperature of extracted air up to 120°C.
- Maximum environment air temperature: 70 ° C (if controlled by IRT5 11 controller code 12857, the maximum temperature drops to 55 ° C).
- Speed adjustable through Vortice's speed controllers.

ACCESSORIES



TETTO PARAPIOGGIA 560

Code 24137



TETTO PROTEZIONE SCARICO 560

Code 24138



QBK-HE RF 560

Code 25067



SWT 16

Code 25059



IRET INVERTER 8 M

Code 12821



POT

Code 12828

PER INFORMAZIONI:

Servizio al Cliente: tel +39 02 90699395 premendo 1 dopo messaggio registrato (consulenza su prodotti e impianti)

Pre & Post Vendita: fax +39 02 90699302

Email prevendita: prevendita@vortice-italy.com