



**VORTICE**

vortice.com



SUMMER VENTILATION



## NORDIK HVLS SUPER BLADE RANGE

**NEW**

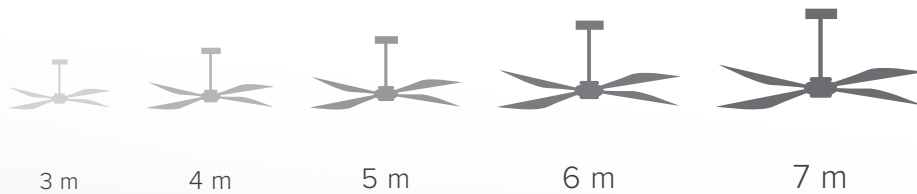


# NORDIK HVLS SUPER BLADE RANGE

Industrial ceiling fans

A new range of HVLS (High Volume Low Speed) ceiling fans, equipped with EC motors, granting very high performance, low consumption and low noise emissions. Ideal for cooling and temperature balance for large areas.

**LARGE** diameters for large spaces, nominals 5 Ø:



## 1. AERODYNAMIC BLADES:

Made of extruded aluminium aerodynamically optimized (**airfoil section**) and fashioned with **winglets** designed to reduce the drag.

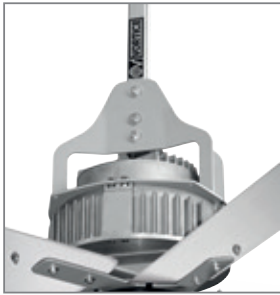
## 2. VORT T CONTROL UNIT:

Provides automatic control of **up to 10 fans**, according to temperature and wind strength.



### 3.PERFORMANCES:

Ultra high airflows (**550.000 m<sup>3</sup>/h**) at very low speed to grant quiet operations



### 4.EC MOTORS:

Three phase (**EC brushless motors**), integrated overheating protection; very high protection (**IP65**) against dust and water.

Design and production  
**Made in Italy.**



### 5.INSTALLATION:

Bracket and rod supplied with the product.

### 6.CONTROLS:

Fully adjustable (**0-10V signal**) motor through potentiometer or VORT-T control unit. RS 485 port integrated in the motor driver for remote control through BMS System (**RTU Modbus protocol**).



# NORDIK HVLS SUPER BLADE RANGE

Industrial ceiling fans

## APPLICATIONS

Nordik HVLS Super Balde at their **most effective** grant highly effective operation even when installed in **tall ambients**. Width of the ventilated area corresponds to approximately **3 times the nominal diameter** of the fan. Especially suitable for installation in the following areas:

**industrial sheds, large warehouses, cattle sheds/stables, airports, mosques**

and where there is a need to move large volumes of air. Wide range of operating temperatures (-10°/+50° C) allows proper operation in many alternative applications.

DESIGNED FOR INSTALLATION AT A DISTANCE FROM  
THE SELECTED CEILING NO LESS THAN:



For mod. 300/120" e 400/160"



For mod. 500/200", 600/240" and 700/280"





APPLICATIONS





# NORDIK HVLS SUPER BLADE RANGE

Industrial ceiling fans

## TECNICAL DATA

CODE	MODELS	Supply	MAX Power consumption W	MAX current A	MAX Airflow m <sup>3</sup> /h	Ø nom. m	Number of blades	Kg
61080	NORKID HVLS SUPER BLADE 300/120"	400V - 50/60HZ- 3	600	1,43	45.000	3	5	80.5
61081	NORKID HVLS SUPER BLADE 400/160"	400V - 50/60HZ- 3	650	1,67	180.000	4	5	88
61082	NORKID HVLS SUPER BLADE 500/200"	400V - 50/60HZ- 3	830	1,97	280.000	5	5	104
61083	NORKID HVLS SUPER BLADE 600/240"	400V - 50/60HZ- 3	840	2,02	402.000	6	5	111.5
61084	NORKID HVLS SUPER BLADE 700/280"	400V - 50/60HZ- 3	900	2,12	550.000	7	5	119.5

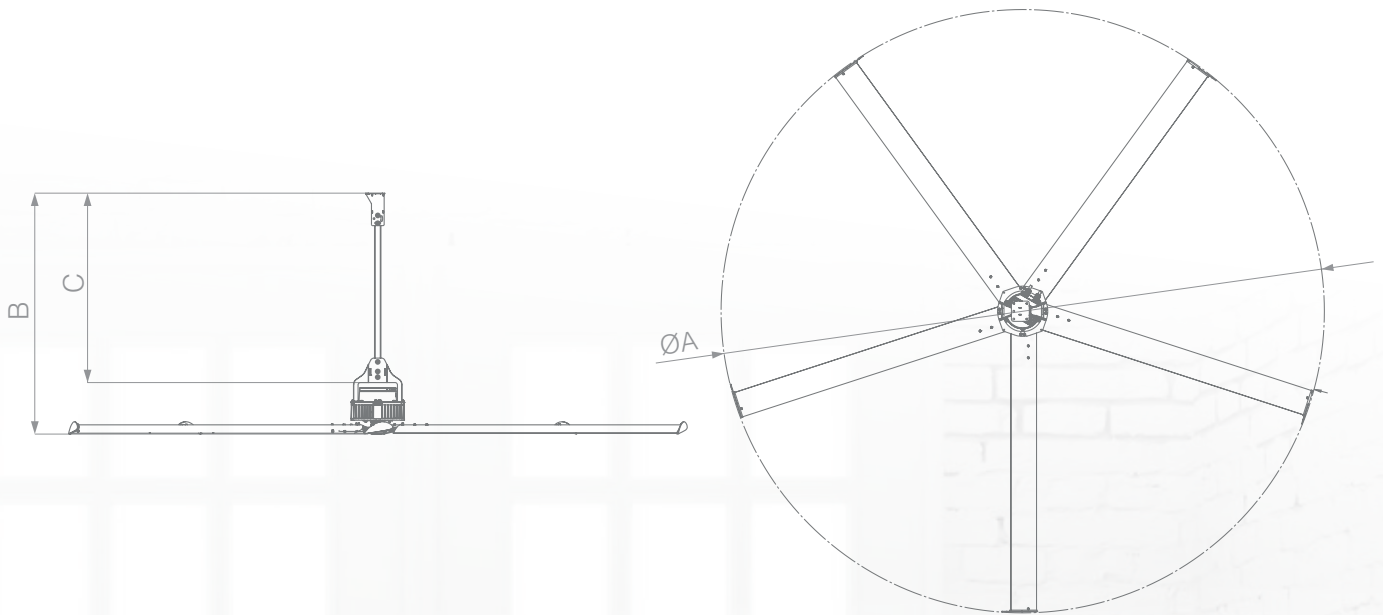
## ACCESSORIES

CODE	MODELS	Descriptions
		Suspension tie-rods kit:  Optional kit consisting of four of rods, designed to assure robust and safe installation. This kit is mandatory in case of:
21136	NHVLS - RD	- Strong wind; - Risk of accidental collisions with machines or objects in motion near the ceiling fan; - Presence of birds; - Seismic zone installation or areas characterized by vibrations (ex. Industrial processes involving the use of hammers or industrial presses)..
21137	VORT T	Control unit with LCD display, able to handle up to 10 units (control units supplied as optional).
12832	POT-I	0 - 10V potentiometer
12828	POT	0 - 10V potentiometer

**DIMENSIONS**

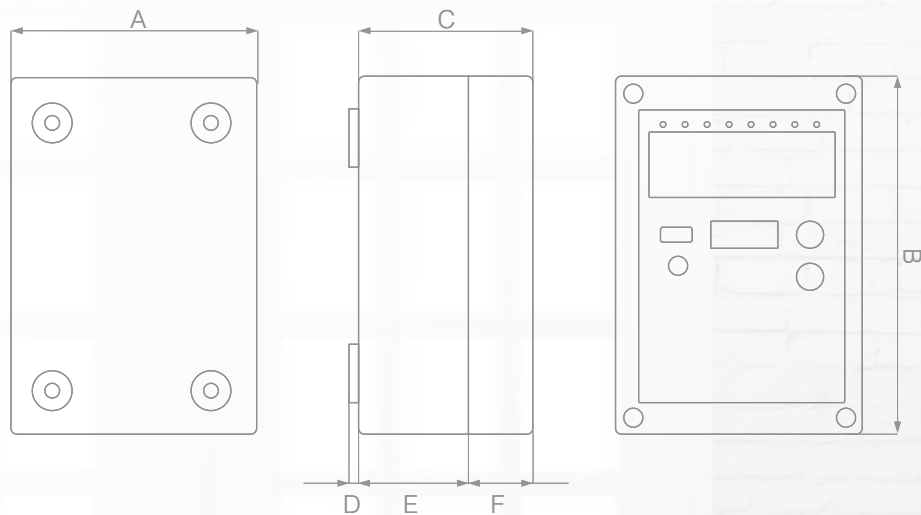
CODE	Ø A	B	C
61080	3000	1400	1000
61081	4000	1400	1000
61082	5000	1880	1500
61083	6000	1880	1500
61084	7000	1880	1500

Dimensions (mm)



CODE	A	B	C	D	E	F
21137	110	160	78	3	50	28

Dimensions (mm)



Cod. 5.170.084.909

03/17

Vortice Elettrosociali S.p.A  
Strada Cerca, 2  
Frazione di Zoate  
20067 Tribiano (Milano)  
Tel. (+39) 02 906991  
Fax (+39) 02 90699314  
Italia  
[www.vortice.com](http://www.vortice.com)

Vortice France  
15-33, Rue Le Corbusier  
CS 30007  
94046 Créteil Cedex  
Tél. (+33) 1.55.12.50.00  
Fax (+33) 1.55.12.50.01  
France  
[www.vortice-france.com](http://www.vortice-france.com)

Vortice Limited  
Beeches House-Eastern  
Avenue Burton on Trent  
DE13 0BB  
Tel. (+44) 1283-49.29.49  
Fax (+44) 1283-54.41.21  
United Kingdom  
[www.vortice.ltd.uk](http://www.vortice.ltd.uk)

