



www.vortice.com



HYGIENE RANGE HAND DRYERS AND HAIR DRYERS



NEW



HEADQUARTERS



Our current Vortice Headquarters have been located in Tribiano (Milan) since 1972.

Vortice main company's philosophy is the concept that "air is our life". Our mission is always to provide effective solutions for improved air quality using the latest technology to develop and manufacture effective products worldwide.

Vortice has achieved European market leadership by dedicating their efforts to the production of products for ventilation, climate control, heating, extraction, purification and the treatment of air, for domestic, commercial and industrial applications. Since 1954 Vortice has been synonymous with quality and excellence and continues to make significant improvements by investing in continuous research to improve the efficiency and quality of its products.



VORTICE IN THE WORLD



Founded in 1974, Vortice France is located at Crétail about 10 Km from Paris.



Founded in 1977, Vortice Limited is located at Burton on Trent in the East Midlands.



Founded in 2012, Vortice Ventilation System is located about 200 Km from Shanghai.



Founded in 2012, Vortice Latam in San José Costa Rica.

INDEX

HYGIENE RANGE

- | | | | |
|----|--|--|--|
| 04 | LEGEND | | |
| 06 | METAL DRY RANGE
Automatic and manual hand dryer | | |
| 10 | OPTIMAL RANGE
Automatic and manual hand dryer | | |
| 14 | OPTIMAL DRY AUTOMATIC WHITE GOLD
Automatic hand dryer | | |
| 18 | PREMIUM RANGE
Automatic and manual hand dryer | | |
| 22 | VORT SUPER DRY RANGE
Asciugamani a lama d'aria | | |
| 26 | VORTDRY RANGE
Hair dryers with flexible hose | | |
| 30 | EASY DRY RANGE
Automatic and manual hair and hand dryers | | |
| 34 | VORT FOHN RANGE
Gun-type hair dryer | | |
| 38 | PREMIUM RANGE
Automatic soap dispenser | | |

CE MARKING

Commercial Ventilation appliances conform to the following European Directives:

- 2006/42/EC Machines Directive (MD)
- 2006/95/EC Low Voltage Directive (LVD)
- 2004/108/EC Electromagnetic Compatibility Directive (EMC)
- 2009/125/EC ErP Directive, Ecocompatible design of energy-related products in accordance with EU regulation 327/2011.

Safety:

EN 60335-1
EN 60335-2-23
EN 60335-2-30
EN 62233



LEGEND



ErP COMPLIANT

The ErP compliant logo indicates that the appliance is ecocompatible and adheres to the ErP directive 2009/125/CE.



ENERGY SAVING

ES label means that the appliance is fitted with EC Brushless motor and provides high energy savings, thanks to a wide range of speed regulation options and very low consumption levels.



SAFE

The IMQ (Italian Mark Institute) mark certifies that the product is manufactured in compliance with the provisions of relevant established safety standards and directives.



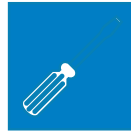
LONG LIFE 30.000 H

This special configuration with motor equipped with ball bearings allows the appliance to be run continuously, and ensures efficient, silent operation throughout its service life. The Long Life 30000 h label certifies that the appliance is guaranteed to operate for 30,000 hours continuously without mechanical failure.



QUICK INSTALL

Only requires 3 anchor plugs plus a safety screw. This allows secure fixing even if wall surfaces are not even.



EASIER AND QUICKER MAINTENANCE

The casings and heating units are exceptionally easy to remove, leaving the frame fixed to the wall to enable rapid reassembly.



MANUAL START-UP

Pushbutton operated. Air delivery can be programmed to operate from 20 to 60 seconds.



AUTOMATIC START-UP

Fitted with an infra-red device that starts the products automatically when hands enter the sensor detection field: this can be adjusted using a "trimmer" inside the product.



AUTOMATIC SAFETY SWITCH-OFF

The heating element automatically cuts out to prevent damage when the button or infrared beam system is blocked either voluntarily or involuntarily or if the air nozzle is blocked. The controller is equipped with a timer programmable from 5 to 10 minutes, to protect against vandalism.



LOW POWER CONSUMPTION

Optimised power consumption, temperature and flow rate. Rapid drying without using excess energy.



AIR DISTRIBUTION

A system of flow feeders inside the delivery nozzles distributes the air evenly.



DUST FILTER

A special integral metal filter in all new models helps to prevent dust from entering and damaging the appliance.



COVER WITH ANTI-VANDAL LOCK

Made of extremely robust, impact-resistant materials, opens for cleaning with the provided key (Allen wrench): this prevents unauthorized access to the unit's interior.



RESISTANT TO CIGARETTE BURNS.



SCRATCH-RESISTANT PAINT

The special paint keeps the product clean at all times, even when attacked with spray paint or indelible markers.



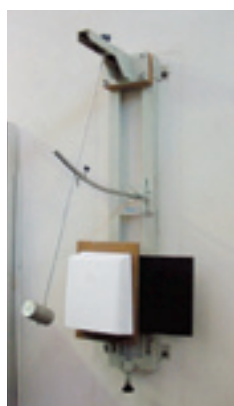
UV STABILIZED

Made of UV resistant ABS plastic. Always look their best.



ELECTRICALLY INSULATED 360° SPLASHPROOF

The product is water spray resistant to EN 60529.



IK TEST

Tested to withstand even the hardest impact (IK Test). The strength values given in this brochure refer to tests carried out in the central front part of the products.



METAL DRY RANGE

Automatic and manual vandal-resistant hand dryer

PRODUCT SPECIFICATIONS

Ideal for high traffic public facilities like service stations, discos, etc...

LONG LIFE 30.000h



- 3 models: automatic and manual.
- Die cast aluminium front cover, protected by scratch resistant paint, cover with anti-vandal lock.
- Automatically shuts off when the intake grille or nozzle are accidentally or intentionally blocked.
- The motor is designed to drastically reduce maintenance requirements and costs, and provides long service and reliability.
- The flow, speed and temperature of the air combine to ensure quick drying.
- Easy installation and maintenance.
- Complying with the requirements of Regulation N° 1275/2008/UE set out by the EUP/ErP Directive, effective starting from 01.01.2013.
- Protection rating: IP44
- Insulation class: Cl.II □



METAL DRY A
cod. 19220METAL DRY
cod. 19221METAL DRY ULTRA A
cod. 19230METAL DRY SUPER A
cod. 19231

KEY FEATURES

- Anti-vandal: tamper resistant, scratch resistant paint mechanical strength.
- The 360° adjustable nozzle allows the air flow to be directed in any direction.
- **Manual version:** button operated. Air delivery can be programmed to operate from 20 to 60 seconds.
- **Automatic start-up:** fitted with an infra-red device that starts the products automatically when hands enter the sensor detection field: this can be adjusted using a "trimmer" inside the product (from 0 to 35 cm).
- **Metal Dry SuperA** is the most powerful model in the Metal Dry range.
- Outstanding performance (2350 W) and long service life (30,000 h) thanks to the use of an electronically controlled brushless motor which provides the high output of a traditional commutator motor without the reduced life caused by brush wear.
- The die-cast painted aluminium front panel and the orientable nozzle ensure perfect efficiency throughout the product's long service life, as well as pleasing styling.

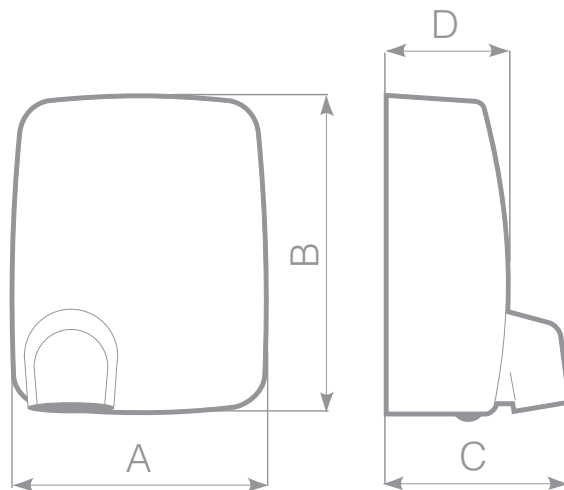
METAL DRY RANGE

Automatic and manual vandal-resistant hand dryer

TECHNICAL DATA

Models	Code	V	Hz	W total	W motor	A max	Max Airflow		Lp dB(A) 1m	W stand-by	IK	Kg
							m ³ /h	l/s				
METAL DRY	19221	220-240	50/60	1950	140	8.5	190	53	69.8	0.2796	10	6.9
METAL DRY A	19220											
METAL DRY ULTRA A	19230			2350	150	10.2	250	75	n.d.			
METAL DRY SUPER A	19231											

DIMENSIONS



Models	Code	A	B	C	D
METAL DRY	19221	280	335	202	139
METAL DRY A	19220				
METAL DRY ULTRA A	19230				
METAL DRY SUPER A	19231				

Dimensions (mm)

METAL DRY
RANGE

HAND DRYER

APPLICATIONS



OPTIMAL DRY RANGE

automatic hand dryer with reinforced casing

PRODUCT SPECIFICATIONS



A pleasing, elegant design which makes the unit ideal for high class installations.

- 4 models: automatic and manual.
- **Optimal Dry A** and **Optimal Dry**: UV resistant ABS housing.
- **Optimal Dry R A**: the housing is made of a thermally hardened rein with very high mechanical strength, thus making it highly suited to public installations like discos and hotels.
- The **Optimal Dry Metal**'s front cover is made of stainless steel to give the combination of style and robustness normally required for appliances used in public spaces.
- Compact size.
- Automatically shuts off when the intake grille or nozzle are accidentally or intentionally blocked.
- The induction motor is equipped with thermal cutout and the heating element with overload protection devices: automatic reset thermal cutout and thermal fuse.
- Dust filter: protects internal parts and guarantees reliable, low maintenance operation.
- Easy installation and maintenance.
- Complying with the requirements of Regulation N° 1275/2008/UE set out by the EUP/ErP Directive, effective starting from 01.01.2013.
- Protection rating: IP44
- Insulation calss: Cl.II





OPTIMAL DRY A
cod. 19229



OPTIMAL DRY R A
cod. 19227



OPTIMAL DRY METAL
cod. 19235



OPTIMAL DRY
cod. 19226

KEY FEATURES

- **Optimal Dry R A:** Characteristic asymmetrical design.
- Low maintenance.
- **Manual start-up:** button operated. Air delivery can be programmed to operate from 20 to 60 seconds.
- **Automatic start-up:** fitted with an infra-red device that starts the products automatically when hands enter the sensor detection field: this can be adjusted using a "trimmer" inside the product (from 0 to 35 cm).



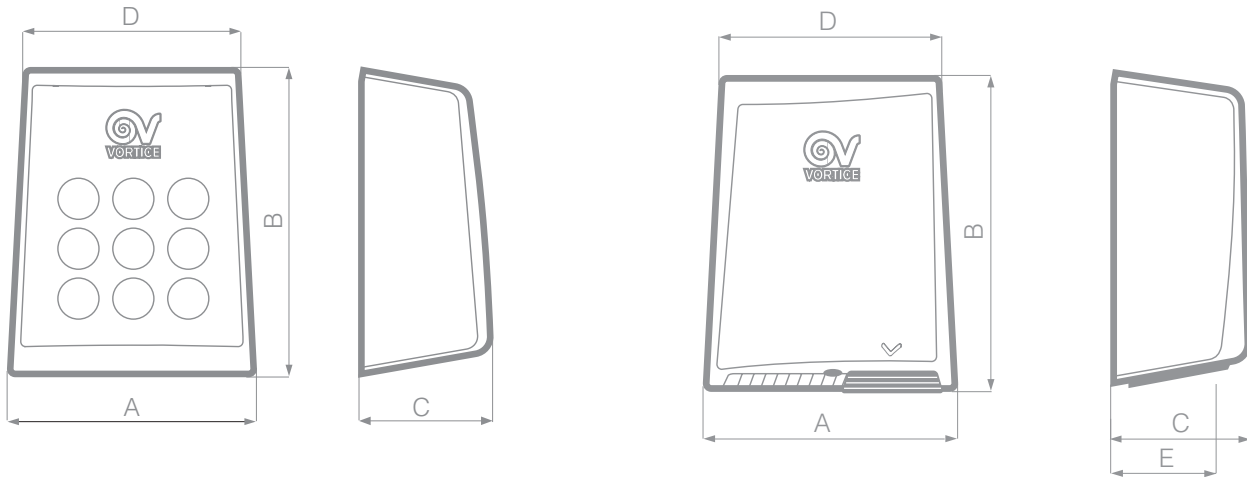
OPTIMAL DRY RANGE

automatic hand dryer with reinforced casing

TECHNICAL DATA

Models	Code	V	Hz	W total	W motor	A max	Max Airflow		Lp dB(A) 1m	W stand-by	IK	Kg
							m³/h	l/s				
OPTIMAL DRY A	19229	220-240	50/60	2000	65	9	170	47	61.4	0.4550	9	2.6
OPTIMAL DRY R A	19227											3.2
OPTIMAL DRY METAL	19235										10	2.6
OPTIMAL DRY	19226										9	2.6

DIMENSIONS



Models	Code	A	B	C	D
OPTIMAL DRY A	19229	253	319	135	220
OPTIMAL DRY METAL	19235				
OPTIMAL DRY	19226				

Dimensions (mm)

Models	Code	A	B	C	D	E
OPTIMAL DRY R A	19227	321	320	130	254	115

Quote (mm)

OPTIMAL
RANGE

HAND DRYER

APPLICATIONS





NEW

OPTIMAL DRY AUTOMATIC WHITE GOLD

Automatic hand dryer

PRODUCT SPECIFICATIONS



Automatic hand dryer ideal, by virtue of its small size as well as distinctive design and finishing, for installation in elegant service rooms.

- 1 model: automatic.
- UV resistant ABS made housing.
- Stylish, metallic mirror finish in white gold color, obtained through advanced technologies providing attractive and distinctive style, durability and wear resistance.
- Ball bearing AC motor equipped with thermal cutout, virtually maintenance free.
- Heating element equipped with double protection against overload consisting of automatic reset thermal cutout and thermal fuse.
- Dust filter to protect inner components, ensuring long term reliability and reducing maintenance needs.
- Security certified by IMQ
- Protection rating: IPX4
- Insulation class: Cl.II ; the appliance does not require grounding.



OPTIMAL DRY
AUTOMATIC
WHITE GOLD

HAND DRYER



OPTIMAL DRY AUTOMATIC WHITE GOLD
cod. 19218

KEY FEATURES

- Exclusive aesthetics.
- Compact size, facilitating installation in small sized rooms too.
- Automatic operation: the product is fitted with an infra-red device that automatically starts the product when hands enter the sensor detection field; sensor sensitivity can be adjusted (from 0 to 35 cm), by means of a trimmer mounted on inner PCB.
- Safe and reliable use, thanks to devices protecting motor and heating element.
- Anti-vandal protection: the product automatically stops when intake grill and/or nozzle are, accidentally or intentionally, blocked.
- Easy installation and maintenance: all inner components are directly accessible by removing the front cover.
- Low emissions of pollutants: absence of universal motor brushes prevents dispersion in air of carbon residues.



NEW

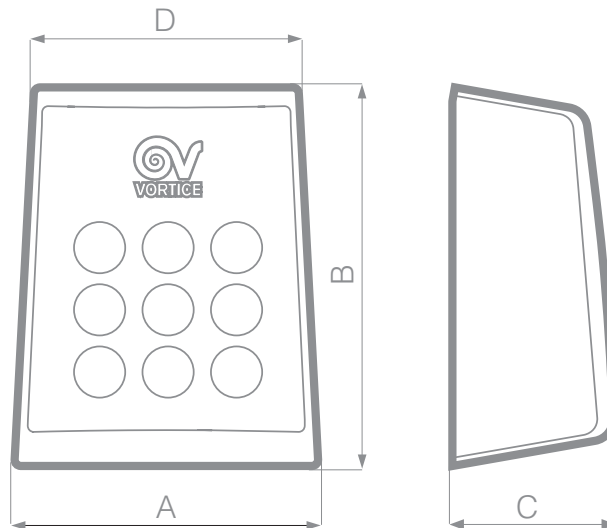
OPTIMAL DRY AUTOMATIC WHITE GOLD

Automatic hand dryer

TECHNICAL DATA

Models	Code	V	Hz	W total	W motor	A max	Max Airflow		Lp dB(A) 1m	W stand-by	IK	Kg
							m³/h	l/s				
OPTIMAL DRY AUTOMATIC WHITE GOLD	19218	220-240	50/60	2000	65	9	170	47	61.4	0.4550	9	2.6

DIMENSIONS



Models	Code	A	B	C	D
OPTIMAL DRY AUTOMATIC WHITE GOLD	19218	253	319	135	220

Dimensions (mm)

OPTIMAL DRY
AUTOMATIC
WHITE GOLD

HAND DRYER

APPLICATIONS





PREMIUM RANGE

Automatic and manual hand dryers

PRODUCT SPECIFICATIONS



Ideal for use in school and nurseries.

- 2 models: automatic and manual.
- ABS UV-resistant plastic.
- Compact size.
- Low operating noise: 55.2 Lp dB(A) for both models.
- Low power consumption: 1350 W for both models.
- Automatically shuts off when the intake grille or nozzle are accidentally or intentionally blocked.
- Dust filter: protects internal parts and guarantees reliable, low maintenance operation.
- Easy installation and maintenance.
- Complying with the requirements of Regulation N° 1275/2008/UE set out by the EUP/ErP Directive, effective starting from 01.01.2013.
- Protection rating: IP44
- Insulation class: Cl.II





PREMIUM DRY A
cod. 19224



PREMIUM DRY
cod. 19225

KEY FEATURES

- Low maintenance.
- **Manual start-up:** button operated. Air delivery can be programmed to operate from 20 to 60 seconds.
- **Automatic start-up:** fitted with an infra-red device that starts the products automatically when hands enter the sensor detection field: this can be adjusted using a “trimmer” inside the product (from 0 to 35 cm).

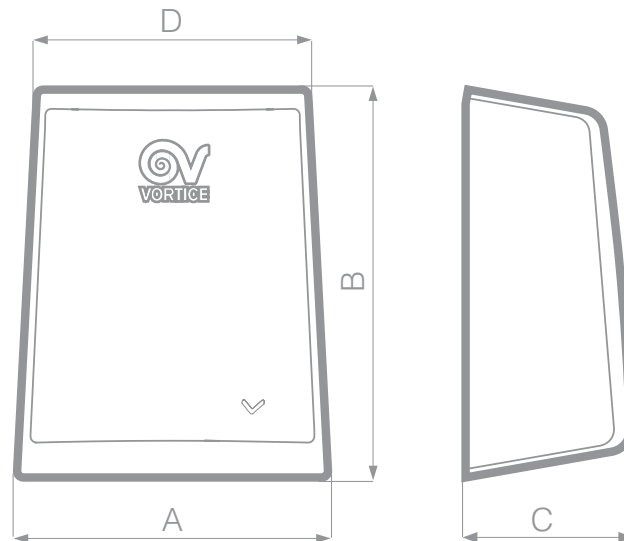
PREMIUM RANGE

Automatic and manual hand dryers

TECHNICAL DATA

Models	Code	V	Hz	W total	W motor	A max	Max Airflow		Lp dB(A) 1m	W stand-by	IK	Kg
							m³/h	l/s				
PREMIUM DRY A	19224	220-240	50/60	1350	45	5.5	120	35	55.2	0.4550	9	2.3
PREMIUM DRY	19225									0.4060		

DIMENSIONS



Models	Code	A	B	C	D
PREMIUM DRY A	19224	253	319	135	220
PREMIUM DRY	19225				

Dimensions (mm)

APPLICATIONS





NEW

VORT SUPER DRY RANGE

Airblade hand dryers designed to installation in commercial and public areas

PRODUCT SPECIFICATIONS

Robust chassis of VORT SUPERDRY, as well as their ball bearing EC motors, virtually maintenance-free, ensure a smooth and economical operation over time, even in case of particularly frequent uses in harsh conditions.

- 2 variants, standard and equipped (VORT SUPER DRY UV), with germicidal UV lamps.
- 2 alternative color options (white and silver grey).
- 4 models totally.
- Electronically commutated (EC), ball bearing motors, virtually maintenance free.
- Enclosures made of thermoplastic (ABS), self-extinguishing resin; shape designed to prevent water drops dispersion on the floor.
- Two level (900 W, 1300 W), electrical resistances.
- Control panel, housed in a suitable protected compartment on the left of each product, allowing On/Off switching, speed selection and electrical resistance setting to promote energy savings when warm ambient temperatures do not suggest to heat treated air.
- LCD display; combined with a set of lamps shows remaining drying time, indicates operation status and highlights possible failures.
- Easy to access and maintain condensate collector.
- Air filter on intake; retains impurities and grants a clean drying air stream.
- UV germicidal lamps (VORT SUPERDRY PRO models only).
- Maximum operating temperature: 40 °C.
- Protection grade: IPX4.
- Insulation calss: Cl.I ⊕



LONG LIFE 80.000 h





VORT SUPER DRY
UV WHITE
cod. 70907

VORT SUPER DRY
UV SILVER
cod. 70908



VORT SUPER DRY
WHITE
cod. 70905

VORT SUPER DRY
SILVER
cod. 70906

KEY FEATURES

- High speed drying (about 10 sec).
- Automatic operation (infrared sensors manage product start/stop).
- Safe use (electronics integrates protection devices preventing overheating, overload and short circuit).
- Hygiene: inner filter equipping VORT SUPERDRY retains impurities, granting a clean air stream. Germicidal capabilities of UV lamps of VORT SUPERDRY PRO further emphasizes such characteristic.
- Anti-vandal protection: VORT SUPERDRY automatically stops after 25 sec. of continuous operation.
- Low power consumptions: great efficiency of EC motor grants significant savings compared to most common, traditional universal motors.
- Reduced costs: annual savings achievable by the use of VORT SUPERDRY exceeds:
 - 350 € compared to traditional hand dryers equipped with universal motors;
 - 5.000 € compared to paper wipes (*).
- Low emissions of pollutants: absence of universal motors brushes prevents dispersion in air of carbon residues.
- Low CO₂ emissions: up to 1/3 less than traditional hand dryers equipped with universal motors or than commonly used paper wipes.

(*) Estimates are based on the following assumptions: Drying time with VORT SUPERDRY: 10"; Drying time with traditional hand dryers equipped with universal motors: 30"; 30 drying cycles/h; 2 paper wipes average used at each drying cycle; Electricity hourly cost: 0.1 kWh; Paper wipes unit cost: 0,01 €. Simulation does not take into account maintenance costs related to periodic substitution of universal motor brushes, as well as to replacement of paper wipes.

NEW

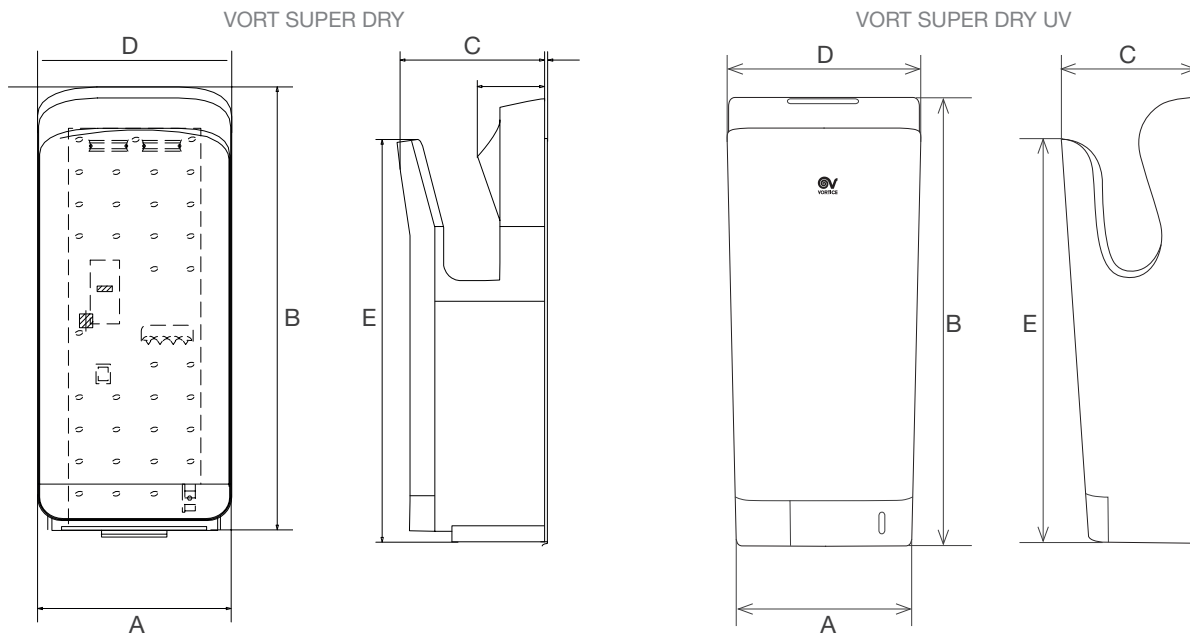
VORT SUPER DRY RANGE

Airblade hand dryers designed to installation in commercial and public areas

TECHNICAL DATA

Models	Code	V	Hz	W total	W motor	A max	Lp dB(A) 1 m	Kg
VORT SUPER DRY WHITE	70905	220-240	5/60	1650/2050	750	8.7	76	9,5
VORT SUPER DRY SILVER	70906							
VORT SUPER DRY UV WHITE	70907							
VORT SUPER DRY UV SILVER	70908							

DIMENSIONS



Models	Code	A	B	C	D	E
VORT SUPER DRY WHITE	70905	270	685	220	300	623
VORT SUPER DRY SILVER	70906					
VORT SUPER DRY UV WHITE	70907	270	700	220	300	638
VORT SUPER DRY UV SILVER	70908					

Dimensions (mm)

APPLICATIONS





VORTDRY RANGE

Wall-mounted hair dryers with flexible hose

PRODUCT SPECIFICATIONS



Its modern, compact design make it ideal for use in hotels and the home.

- 3 modelli: automatic with and without razor socket.
- **Plus** version equipped with razor sockets for 230 V / 50 Hz and 110 V / 60 Hz power, with overload protection.
- **Jet** version equipped with Induction motor designed for heavy duty use over long periods of time.
- Front cover in self-extinguishing V0 ABS resin.
- Flexible spiral PVC hose. Hose extends from 500 to 1600 mm
- The blower's ergonomic design ensures a sure grip even with wet hands. Its internal core prevents overheating, which can be uncomfortable when used for a long time.
- The heating element is protected by two safety devices (automatic reset thermal cutout and thermal fuse).
- Integrated automatic stop: the unit switches off when the blower is replaced, or after around 20 minutes of continuous operation.
- Complying with the requirements of Regulation N° 1275/2008/UE set out by the EUP/ErP Directive, effective starting from 01.01.2013.
- Protection rating: IPX4
- Insulation class: CI.II





VORTDRY 1000
cod. 70920



VORTDRY 1000 PLUS
cod. 70921



VORTDRY 1000 JET
cod. 70919

KEY FEATURES

- Washable dust filter: protects internal parts and guarantees reliable, low maintenance operation.
- Turned on simply by unhooking the blower and pulling it towards you, and turned off when hooked up.
- Its high air flow and special nozzle design are optimized for quick drying.



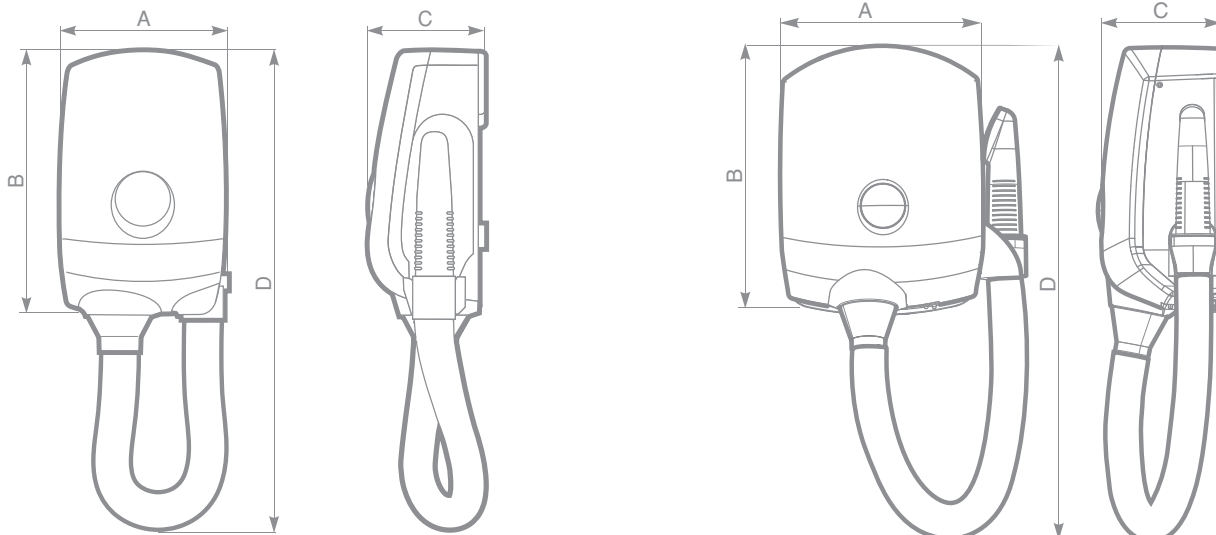
VORTDRY RANGE

Wall-mounted hair dryers with flexible hose

TECHNICAL DATA

Models	Code	V	Hz	W total	W motor	A max	Max Airflow		Lp dB(A) 1m	W stand-by	IK	Kg
							m ³ /h	l/s				
VORTDRY 1000	70920	230	50	1000	120	4.7	114	31.6	68	0.5050	6	1.5
VORTDRY 1000 PLUS	70921											1.9
VORTDRY 1000 JET	70919			800	90	3.5	190*	52.7*	62	0.5110	9	3.2

DIMENSIONS



Models	Code	A	B	C	D
VORTDRY 1000	70920	190	300	130	550
VORTDRY 1000 PLUS	70921				

Dimensions (mm)

Models	Code	A	B	C	D
VORTDRY 1000 JET	70919	320	380	160	560

Dimensions (mm)

APPLICATIONS





NEW

EASY DRY DUAL RANGE

Manual hair and hand dryers

PRODUCT SPECIFICATIONS

Especially suited to heavy duty use in wellness centres, sports centres, swimming pools and gyms.

- 1 model manual versions.
- Can be used in DUAL mode, both as hairdryers and hand dryers.
- Front cover in self-extinguishing V0 ABS resin.
- Induction motor designed for heavy duty use over long periods of time.
- The heating element is protected by safety device (automatic reset thermal cutout).
- Washable dust filter: protects internal parts and guarantees reliable, low maintenance operation.
- Easy installation and maintenance.
- Complying with the requirements of Regulation N° 1275/2008/UE set out by the EUP/ErP Directive, effective starting from 01.01.2013.
- Protection rating: IPX4
- Insulation calss: Cl.II





EASY DRY DUAL 1300
cod. 19207

NEW

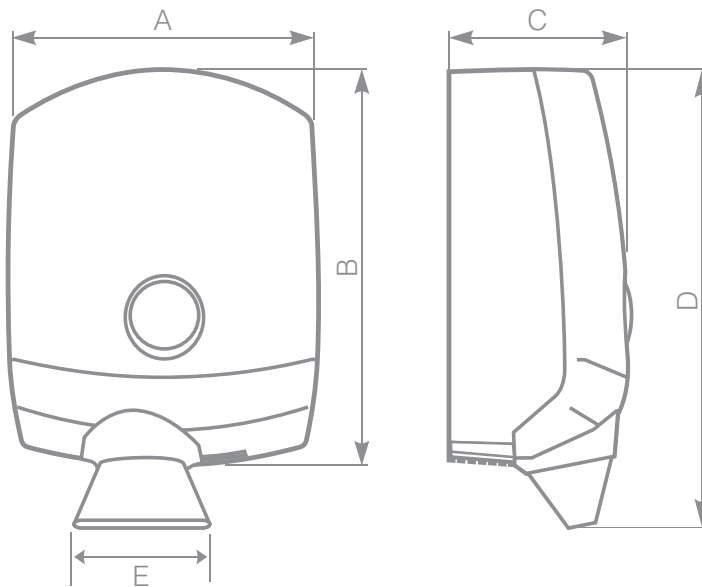
EASY DRY DUAL RANGE

Automatic and manual hair and hand dryers

TECHNICAL DATA

Models	Code	V	Hz	W total	W motor	A max	Max Airflow		Lp dB(A) 1m	W stand-by	IK	Kg
							m ³ /h	l/s				
EASY DRY DUAL 1300	19207	230	50	1300	90	5.6	190*	52.7*	59.4	0.5090	9	2.4

DIMENSIONS



Models	Code	A	B	C	D	E
EASY DRY DUAL 1300	19207	248	240	160	380	110

Dimensions (mm)

APPLICATIONS




VORT FOHN RANGE

Gun-type wall mounted hair dryer

PRODUCT SPECIFICATIONS

Elegant design make it ideal for use in hotels and public places.

- 4 models: with and without razor socket.
- Gun-type wall mounted hairdryer.
- **Plus** version equipped with razor sockets for 230/120V.
- Wall holder switch disconnects the mains power supply.
- Ergonomic and stylish design.
- Moulded hairdryer in self-extinguishing VO ABS. Cord length 600 mm to 2200 mm (approx.).
- The heating element is protected by safety device (automatic reset thermal cutout).
- Metal dust filter protects internal components and ensures reliability and long service life.
- Easy installation and maintenance.
- Complying with the requirements of Regulation N° 1275/2008/UE set out by the EUP/ErP Directive, effective starting from 01.01.2013.
- Protection rating: IPX0
- Insulation class: CI.II 





VORT FOHN 1600
cod. 70923



VORT FOHN 1200
cod. 70922



VORT FOHN 1200 PLUS
cod. 70924



VORT FOHN 1600 PLUS
cod. 70925

KEY FEATURES

- Ergonomic design and sure grip even with wet hands.
- **Plus** version equipped with two razor sockets .
- Automatic shutoff when button released.



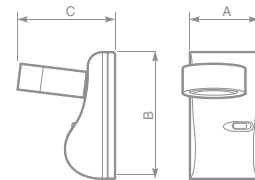
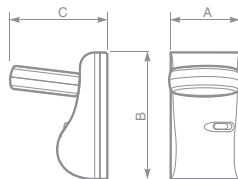
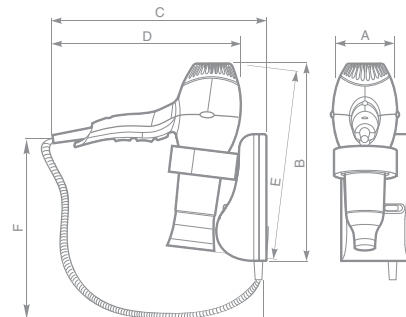
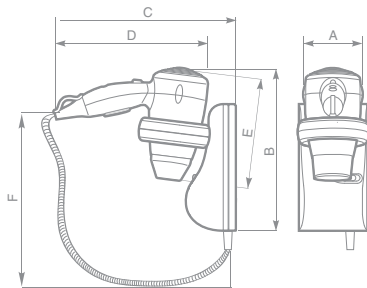
VORT FOHN RANGE

Gun-type wall mounted hair dryer

TECHNICAL DATA

Models	Code	V	Hz	W totale	W motore	A max	Max Airflow		Lp dB(A) 1m	W stand-by	IK	Kg
							m ³ /h	l/s				
VORT FOHN 1200	70922	230	50	1200	20	5.22	94	26	71	-	-	0.46+0.23
VORT FOHN 1200 PLUS	70924											0.46+0.63
VORT FOHN 1600	70923			1600		6.95	90	-	69			0.49+0.23
VORT FOHN 1600 PLUS	70925											0.49+0.63

DIMENSIONS



Models	Code	A	B	C	D	E	F
VORT FOHN 1200	70922	95	230	250	230	165	500
VORT FOHN 1200 PLUS	70924						

Models	Code	A	B	C	D	E	F	G
VORT FOHN 1600	70923	110	290	290	270	230	520	131
VORT FOHN 1600 PLUS	70925							

	A ₁	B ₁	C ₁
HOLDER	100	180	140

	A ₁	B ₁	C ₁
HOLDER	100	180	140

Dimensions (mm)

Dimensions (mm)

APPLICATIONS





PREMIUM RANGE

Automatic soap dispenser

PRODUCT SPECIFICATIONS

Elegant design make it ideal for use in hotels and public places.



- Automatic liquid soap dispenser.
- UV resistant ABS housing.
- Compact size.
- Peristaltic pump; the soap is dispensed without coming into contact with the pump's mechanical components, thus ensuring silent operation and even delivery.
- Removable soap tank.
- Overflow protection. If the soap tank is over filled, there is no danger of short circuiting the system.
- Easy installation and maintenance.
- Complying with the requirements of Regulation N° 1275/2008/UE set out by the EUP/ErP Directive, effective starting from 01.01.2013.
- Protection rating: IPX4
- Insulation class: CI.II ☐





PREMIUM S DISPENSER
cod. 19228



KEY FEATURES

- Adjustable infrared detector automatically starts the appliance when the user's hands enter its field.
- Adjustable dispense quantity.
- Does not yellow with age.



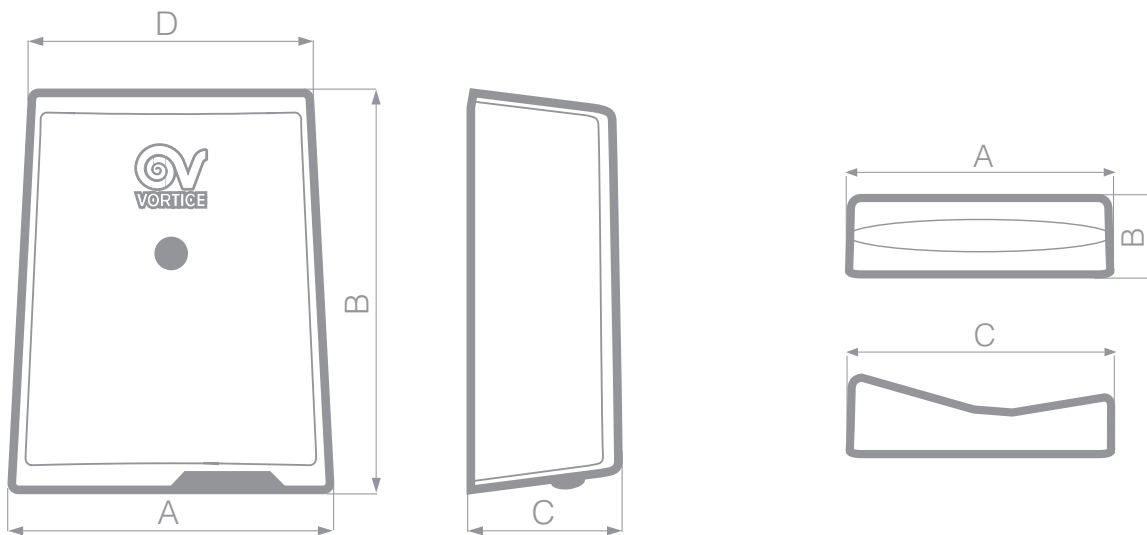
PREMIUM RANGE

Automatic soap dispenser

TECHNICAL DATA

Models	Code	V	Hz	W max	A max	Soap container capacity Lt	W stand-by	IK	Kg
PREMIUM S DISPENSER	19207	220-240	50/60	6	-	0.50	0.3838	9	1.2

DIMENSIONS



Models	Code	A	B	C	D
PREMIUM S DISPENSER	19228	181	257	91	159

Dimensions (mm)

	A ₁	B ₁	C ₁
DRIP COLLECTOR	135	50	135

Quote (mm)

APPLICATIONS



Cod. 5.170.084.704

07/15

Vortice Elettrosociali S.p.A
Strada Cerca, 2
Frazione di Zoate
20067 Tribiano (Milano)
Tel. (+39) 02 906991
Fax (+39) 02 90699314
Italia
www.vortice.com
export@vortice-italy.com

Vortice France
15-33, Rue Le Corbusier
CS 30007
94046 Créteil Cedex
Tél. (+33) 1.55.12.50.00
Fax (+33) 1.55.12.50.01
France
www.vortice-france.com
contact@vortice-france.com

Vortice Limited
Beeches House-Eastern Avenue
Burton on Trent
DE13 0BB
Tel. (+44) 1283-49.29.49
Fax (+44) 1283-54.41.21
United Kingdom
www.vortice.ltd.uk
sales@vortice.ltd.uk

