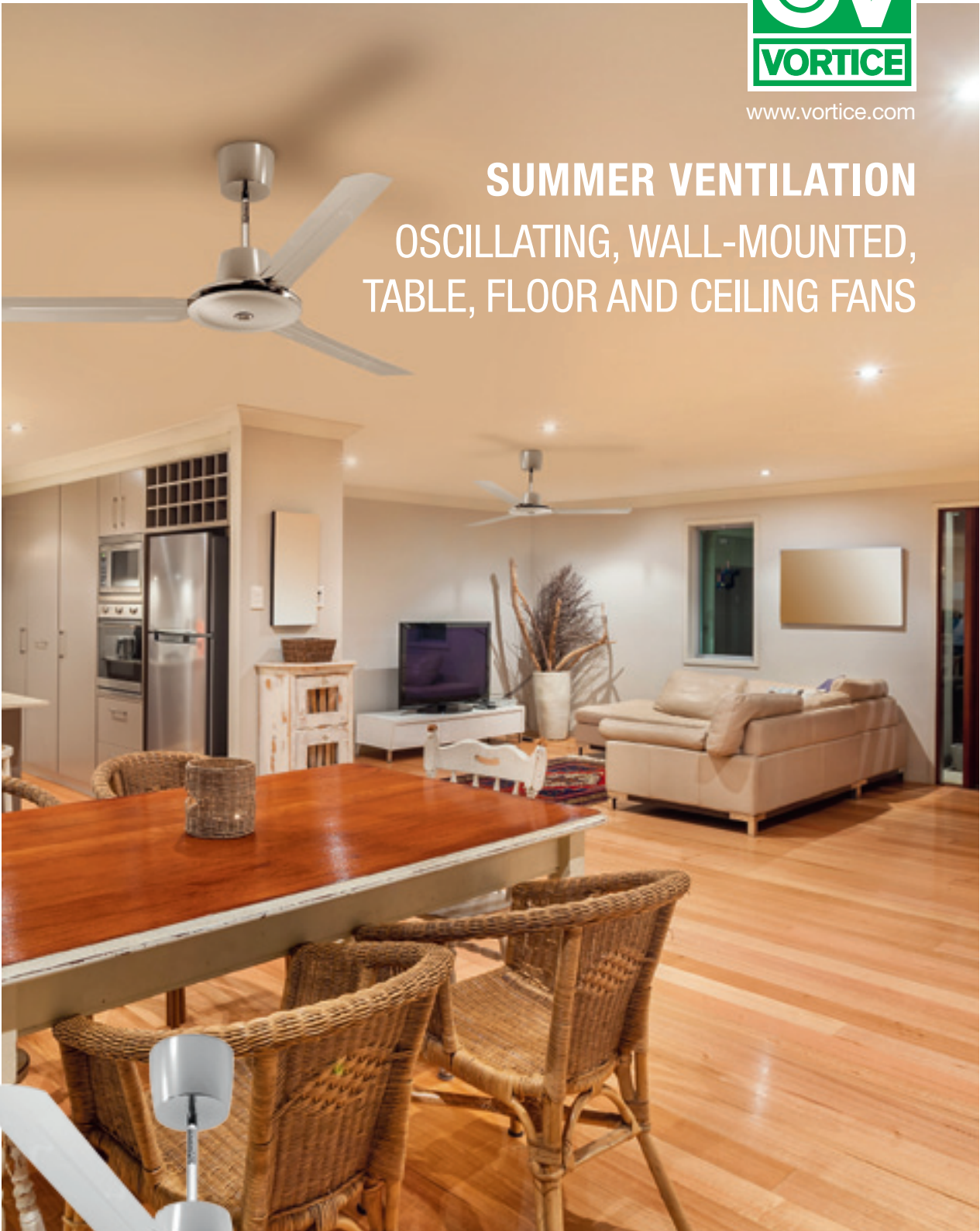




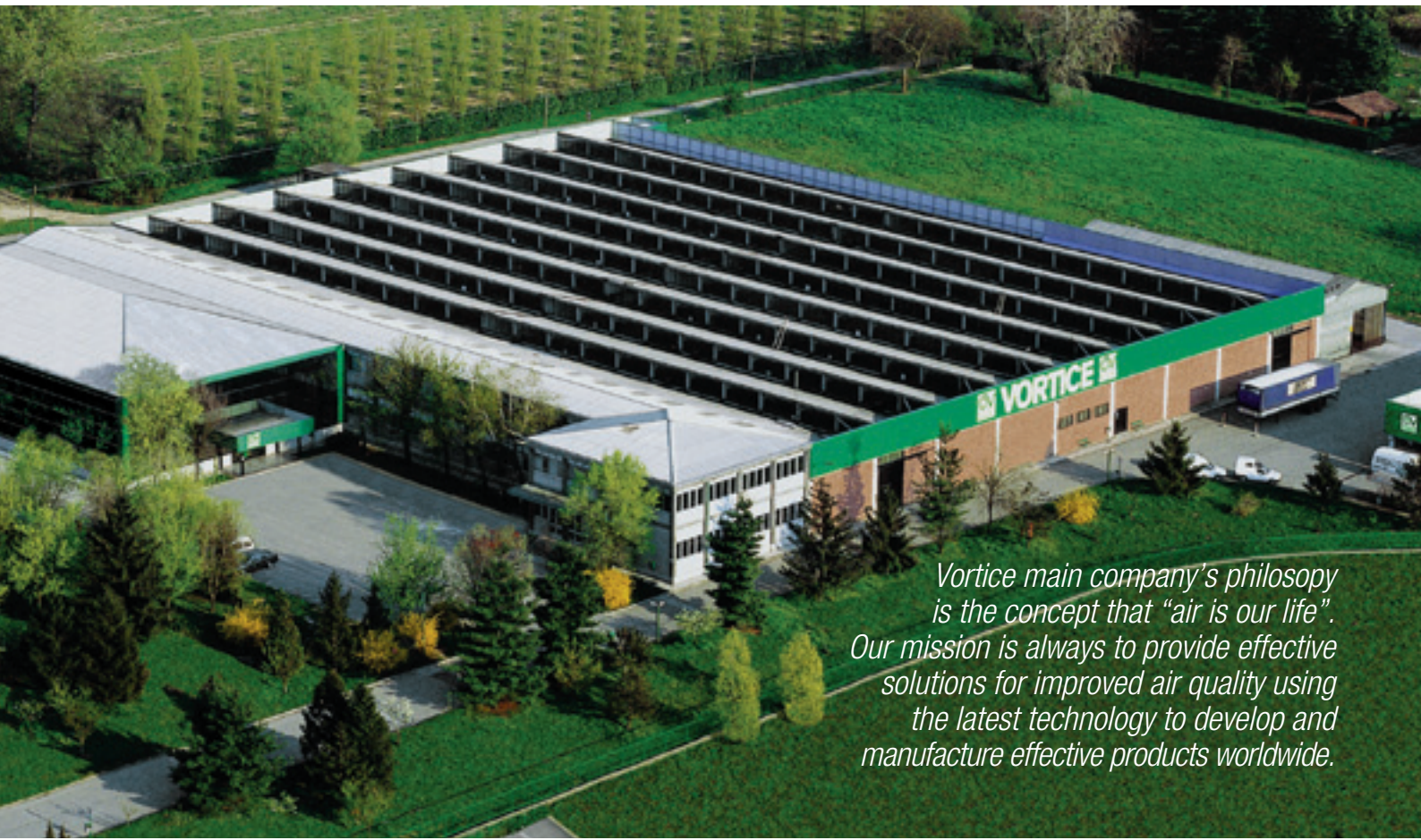
[www.vortice.com](http://www.vortice.com)

# SUMMER VENTILATION OSCILLATING, WALL-MOUNTED, TABLE, FLOOR AND CEILING FANS



**NEW**





*Vortice main company's philosophy is the concept that "air is our life". Our mission is always to provide effective solutions for improved air quality using the latest technology to develop and manufacture effective products worldwide.*

*Our current Vortice Headquarters have been located in Tribiano (Milan) since 1972.*

Vortice has achieved European market leadership by dedicating their efforts to the production of products for ventilation, climate control, heating, extraction, purification and the treatment of air, for domestic, commercial and industrial applications. Since 1954 Vortice has been synonymous with quality and excellence and continues to make significant improvements by investing in continuous research to improve the efficiency and quality of its products.

## VORTICE IN THE WORLD

FRANCE



Founded in 1974, Vortice France is located at Créteil about 10 Km from Paris.

ENGLAND



Founded in 1977, Vortice Limited is located at Burton on Trent in the East Midlands.

CHINA



Founded in 2012, Vortice Ventilation System is located about 200 Km from Shanghai.

SOUTH AMERICA



Founded in 2012, Vortice Latam is located in San José, Costa Rica.

# INDEX

## SUMMER VENTILATION

- 04 **GORDON RANGE**  
Oscillating table, wall-mounting and pedestal fans
- 08 **ARIANTE® RANGE**  
Rotating, multi-directional
- 12 **ARIANTE® TOWER SUPER**  
Oscillating tower fan
- 16 **NORDIK® DECOR RANGE**  
Ceiling fans
- 20 **NORDIK® DESIGN 1S/1SL RANGE**  
Ceiling fans

- 24 **NORDIK® INTERNATIONAL PLUS RANGE**  
Ceiling fans
- 28 **NORDIK® EVOLUTION RANGE**  
Ceiling fans
- 32 **NORDIK® EVOLUTION *Gold***  
Ceiling fans
- 36 **ACCESSORIES NORDIK® RANGE**



### ErP COMPLIANT

The ErP compliant logo indicates that the appliance is ecocompatible and adheres to the ErP directive 2009/125/CE.



The IMQ (Italian Mark Institute) mark certifies that the product is manufactured in compliance with the provisions of relevant established safety standards and directives.



The IMQ (Italian Mark Institute) denotes compliance with C.E.I. product performance regulations, and this is certified by the Istituto Italiano del Marchio di Qualità.

## CE MARKING

Summer Ventilation appliances conform to the following European Directives:

- 2006/42/EC Machines Directive (MD)
- 2006/95/EC Low Voltage Directive (LVD)
- 2004/108/EC Electromagnetic Compatibility Directive (EMC)
- 2009/125/EC ErP Directive, Ecocompatible design of energy-related products in accordance with EU regulation 327/2011.

### Safety:

EN 60335-1  
EN 60335-2-80  
EN 60529  
EN 62233

### EMC:

EN 55014-1  
EN 55014-2  
EN 61000-3-2  
EN 61000-3-3

European Regulation N° 1275/2008/UE  
European Regulation N° 206/2012.



## GORDON RANGE

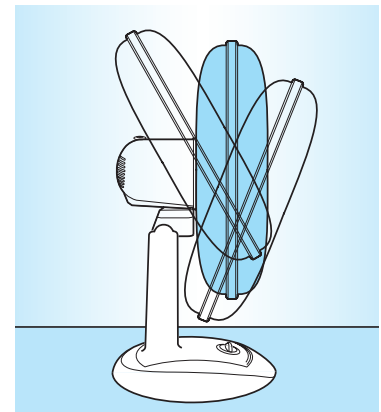
Oscillating table, wall-mounting and pedestal fans

### PRODUCT SPECIFICATIONS

*Suitable for domestic applications: kitchens, bathrooms, offices, shops, restaurants, bars, etc...*



- 6 models: 2 table models, 2 wall models and 2 stand models.
- 2 nominal diameter 300 and 400 mm.
- Material: plastic resin able to withstand aging induced by exposure to sunlight (UV-resistant), and formulated with an antistatic compound to prevent accumulation of dust.
- 3 speed asynchronous motor with thermal overload protection and shaft turning in self-aligning and self-lubricating bushings, coupled to oscillating mechanism generating movement through an angle of approx 90° maximum.
- Motor housing equipped with hinge and clamp knob for adjustment of tilt angle.
- Rotary on/off switch and fan speed selector.
- On/off switch and speed selector (rotary control incorporated into rear of motor housing)
- Power cord with moulded plug.
- Equipped with stretch spiral power cord including plug.
- Maximum air flow 4000 m<sup>3</sup>/h.
- IMQ SAFETY and IMQ PERFORMANCE certifications.
- Protection rating: IP20
- Insulation calss: CI.II







GORDON C 40/16"  
cod. 60620

GORDON C 40/16" N  
cod. 60621



GORDON W 30/12" ET  
cod. 60643

GORDON W 40/16" ET  
cod. 6041



GORDON C 40/16"  
cod. 60615



GORDON C 30/16"  
cod. 60610

TECHNICAL DATA

Models	Code	Color	V	Hz	W	A	RPM	Nr. Blade	Max Airflow m <sup>3</sup> /h	IP	Kg	
GORDON 30/12"	60610	grey	220-240	50/60	35	0.18	1300	3	2400	-	2.4	
GORDON 40/16"	60615				40	0.19	1145		4000		2.7	
GORDON C 40/16"	60620	black			40	0.19	1145		4000		5.4	
GORDON C 40/16" N	60621				35	0.18	1300		2400		2.7	
GORDON W 30/12" ET	60643	grey			35	0.18	1300		2400		20	2.7
GORDON W 40/16" ET	60641				40	0.19	1145		4000			3.0



# GORDON RANGE

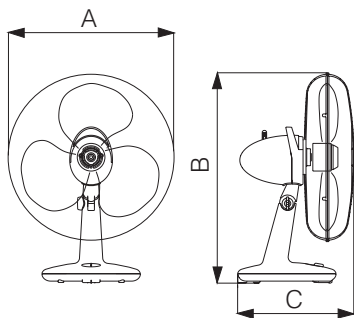
Oscillating table, wall-mounting and pedestal fans

GORDON RANGE | TECHNICAL DATA FOR REGULATION N° 206/2012 UE

Code	Symbol	Unit	GORDON 30/12"	GORDON 40/16"	GORDON C 40/16"	GORDON C 40/16" N	GORDON W 30/12" ET	GORDON W 40/16" ET
			60610	60615	60620	60621	60643	60641
Maximun fan air flow	F	m <sup>3</sup> /min	40.00	66.67	66.67	66.67	40.00	66.67
Fanpower input	P	W	35	40	40	40	35	40
Service value	SV	(m <sup>3</sup> /min)W	1.143	1.667	1.667	1.667	1.143	1.667
Standby power consumption	PSB	kW	0	0	0	0	0.9950	0.9950
Fan sound power level	LWA	dB(A)	50.8	57.2	57.2	57.2	50.8	57.2
Maximum air velocity	C	m/sec	1.70	1.61	1.61	1.61	1.70	1.61
Measurement standard for service value	IEC 60879; EN62301: UNI EN ISO 3741							

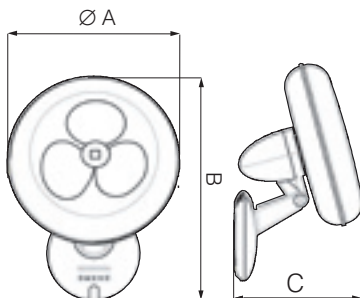
For more information refer to: Vortice Elettrosociali Spa, Strada Cerca, 2 - 20067 Zoate di Tribiano (MI) Italia

DIMENSIONS



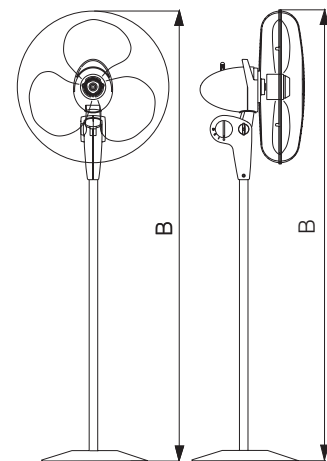
Models	ØA	B	C
GORDON 30/12"	364	523.5	302.6
GORDON 40/16"	458	570.5	

Dimensions (mm)



Models	ØA	B	C
GORDON W 30/12" ET	365	550	335
GORDON W 40/16" ET	460	600	

Dimensions (mm)



Models	ØA	B	C
GORDON C 40/16"	458	min 1480	420
GORDON C 40/16" N		max 1800	

Dimensions (mm)

APPLICATIONS

---





# ARIANTE® RANGE

## Rotating, multi-directional

### PRODUCT SPECIFICATIONS



*Suitable for domestic and commercial applications due to its unique spiral airflow.*

- Casing moulded from plastic resin able to withstand aging induced by exposure to sunlight (UV-resistant), and formulated with an antistatic compound to prevent accumulation of dust.
- Component parts are made in 5 pastel colours (pale yellow, grey, pink, sky blue, light green). Parts are assembled entirely at random, so that the mix of colours will always be different and the visual effect always pleasing and harmonious. There are no less than 78,125 possible combinations. In practice, every Ariante® 30 Arlecchino is different from all others of the series: a unique example of industrial art.
- Nominal diameter: 300 mm
- Protective grilles made of ABS impact- and UV-resistant thermoplastic resin: front grille rotatable, rear grille fixed.
- Fan rotor moulded from ABS thermoplastic resin.
- 3 speed asynchronous motor with shaft turning in self-aligning and self-lubricating bushings; thermal overload protection.
- Air flow 1300 m<sup>3</sup>/h
- Front grille rotation mechanism incorporating synchronous motor with rubber gear housed in the front part of the casing.
- Provided with two rotary switches: The first switch, which has 4 positions (OFF-1-2-3), is used to turn the fan on and off and select the three speeds of the rotor; the second switch, which has 2 positions (ON and OFF), is used to control the rotation of the front grille by turning the synchronous drive motor on or off.
- PVC power cord, length 1.80 m, with 10A moulded plug conforming to the requirements of the EU Machinery Directive.
- IMQ safety and performance certifications
- Recipient of the Compasso D'oro award for product design
- Insulation class: Cl.II







ARIANTE 30  
cod. 60790



ARIANTE 30 ARLECCHINO  
cod. 60795

TECHNICAL DATA

Models	Code	Color	V	Hz	W	A	RPM	Nr. Blade	Max Airflow m³/h	Kg
ARIANTE 30	60790	white	220-240	50/60	35	0.17	1075	6	1306	2.4
ARIANTE 30 ARLECCHINO	60795	multi color								2.7



# ARIANTE® RANGE

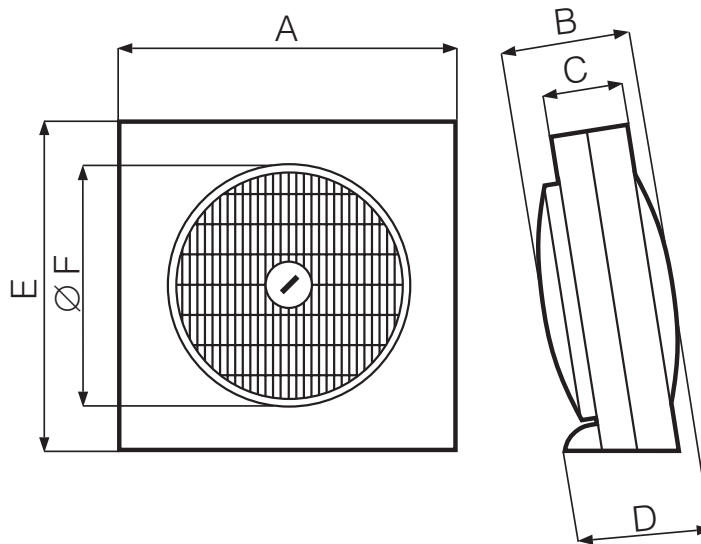
## Rotating, multi-directional

ARIANTE® RANGE | TECHNICAL DATA FOR REGULATION N° 206/2012 UE

Code	Symbol	Unit	ARIANTE 30	ARIANTE 30 ARLECCHINO
			60790	60795
Maximun fan air flow	F	m <sup>3</sup> /min	21.77	21.77
Fanpower input	P	W	35	35
Service value	SV	(m <sup>3</sup> /min)W	0.622	0.622
Standby power consumption	PSB	kW	-	-
Fan sound power level	LWA	dB(A)	54.5	54.5
Maximum air velocity	C	m/sec	2.03	2.03
Measurement standard for service value	IEC 60879; EN62301: UNI EN ISO 3741			

For more information refer to: Vortice Elettrosociali Spa, Strada Cerca, 2 - 20067 Zoate di Tribiano (MI) Italia

DIMENSIONS



Models	Code	A	B	C	D	E	ØF
ARIANTE 30	60790	440	162	90	175	440	350
ARIANTE 30 ARLECCHINO	60795						

Dimensions (mm)

APPLICATIONS

---







## ARIANTE® TOWER SUPER

Oscillating tower fan

### PRODUCT SPECIFICATIONS



*A latest generation fan, attractively styled and capable of guaranteeing effective cooling even over longer distances..*

- Outer casing, base, tangential (cross-flow) impeller, scroll and remote control shell moulded from thermoplastic resin (ABS).
- Supporting structure provided by two extruded aluminium columns, one on either side, connected to the base and rotatable about a vertical axis through 60° approx to channel the flow of air in the preferred direction
- 3 speed induction motor with start capacitor, shaft turning in high quality self-aligning and self-lubricating bushings; protected by thermal load limiter
- Air flow 1300 m<sup>3</sup>/h
- Mechanism inducing oscillation about vertical axis, driven by synchronous electric motor.
- Infrared remote control supplied as standard
- Remote control functions duplicated by Soft Touch local controls positioned at the top of the tower and protected by a cover provided with cushioned retaining catch.
- Set of luminous indicators located on the top front section of the tower casing, showing the selected operating mode of the appliance
- PVC power cord, length 2 m, with 10A moulded plug (versions also available with Schuko 16A plug and UK 13A plug).
- Insulation class: Cl.II





ARIANTE® TOWER  
cod. 63015

TECHNICAL DATA

Models	Code	Color	V	Hz	W	A	RPM	Nr. Blade	Max Airflow m³/h	Kg
ARIANTE TOWER SUPER	63015	grey	220-240	50/60	40	0.18	1200	TANG:	2323	5.2



# ARIANTE® TOWER SUPER

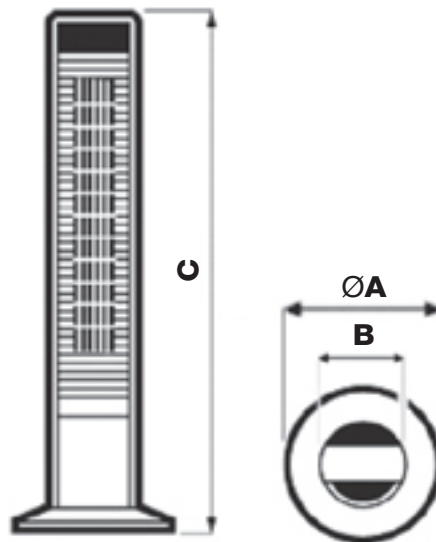
## Oscillating tower fan

ARIENTE® TOWER SUPER RANGE | TECHNICAL DATA FOR REGULATION N° 206/2012 UE

Code	Symbol	Unit	ARIANTE TOWER SUPER	
			63015	
Maximun fan air flow	F	m <sup>3</sup> /min	38.72	
Fanpower input	P	W	40	
Service value	SV	(m <sup>3</sup> /min)W	0.968	
Standby power consumption	PSB	kW	0.7240	
Fan sound power level	LWA	dB(A)	55.2	
Maximum air velocity	C	m/sec	2.52	
Measurement standard for service value	IEC 60879; EN62301: UNI EN ISO 3741			

For more information refer to: Vortice Elettrosociali Spa, Strada Cerca, 2 - 20067 Zoate di Tribiano (MI) Italia

### DIMENSIONS



Models	Code	ØA	B	C
ARIANTE TOWER SUPER	63015	306	172	1050

Dimensions (mm)



APPLICATIONS

---



## NORDIK® DECOR RANGE

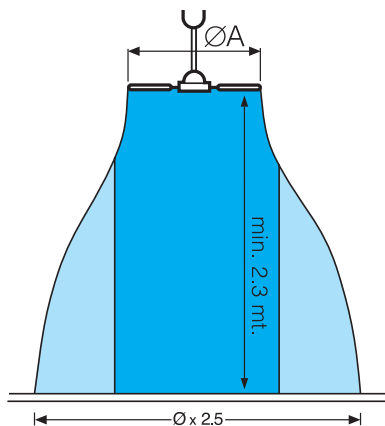
### Ceiling fans

#### PRODUCT SPECIFICATIONS



*Ideal for use in homes, pubs, restaurants, etc...*

- Top and bottom motor covers moulded from heat-resistant and UV-resistant thermoplastic resin (ABS), colour white
- Wiring connections at end of ceiling rod concealed by domes moulded from impact- and UV-resistant PP, colour white.
- Nominal diameter of blades 900 mm or 1400 mm.
- Single phase start capacitor motor with external rotor, and shaft turning in ball bearings.
- Maximum air flow 13470 m<sup>3</sup>/h
- 4 sheet steel blades powder coated with scratch-resistant polyester, colour white, connected to the hub by reinforced brass coloured mounts.
- Steel ceiling rod, polyester powder coated in the same colour as the blades, length 375 mm.
- Bag of accessories containing nuts and bolts required for assembly of blades, ceiling hook and rubber anti-vibration washer.
- Factory-prepared to accept Light Kit (optional), suitable for lamp rated 150W max with E27 screw fitting, or equivalent energy-saving lamp with E27 screw fitting.
- Globe lampshade of laminated glass, colour opaline.
- IMQ safety and performance certifications
- Speed selectable by way of control units or Telenordik 5T remote control (optional).
- Insulation class: Cl.I ⊕



NORDIK® DECOR  
1S 90/36" cod. 61052  
1S 140/56" cod. 61342



NORDIK® DECOR  
1S 140/56" cod. 62000

## TECHNICAL DATA

Models	Code	Color	V	Hz	W	A	RPM	Nr. Blade	Max Airflow m³/h	Kg
NORDIK® DECOR 1S 90/36"	61052	white	220-240	50	50	0.32	235	4	8520	2.4
NORDIK® DECOR 1S 140/36"	61342					0.33	215		13470	2.7
NORDIK® DECOR 1S 140/36"	62000	wood grain				3.0				



# NORDIK® DECOR RANGE

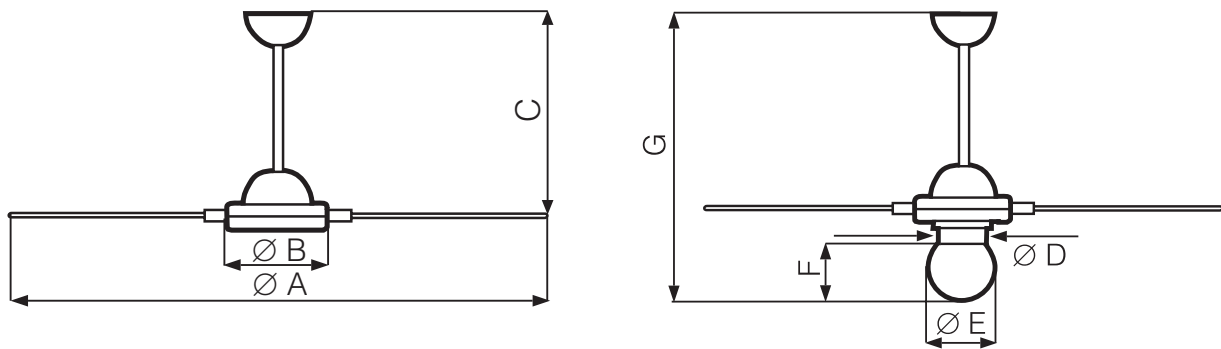
## Ceiling fans

NORDIK® DECOR RANGE | TECHNICAL DATA FOR REGULATION N° 206/2012 UE

Code	Symbol	Unit	1S 90/36"	1S 140/56"	1S 140/56"
			62052	61342	62000
Maximun fan air flow	F	m <sup>3</sup> /min	142.00	224.50	224.50
Fanpower input	P	W	70	70	70
Service value	SV	(m <sup>3</sup> /min)W	2.029	3.207	3.207
Standby power consumption	PSB	kW	-	-	-
Fan sound power level	LWA	dB(A)	47.9	54.1	54.1
Maximum air velocity	C	m/sec	2.47	2.28	2.28
Measurement standard for service value	IEC 60879; EN62301: UNI EN ISO 3741				

For more information refer to: Vortice Elettrosociali Spa, Strada Cerca, 2 - 20067 Zoate di Tribiano (MI) Italia

### DIMENSIONS



Models	Code	Ø A	Ø B	C	Ø D	Ø E	F	G
1S 90/36"	62052	914	248	491	130	200	180	756
1S 140/56"	61342							
1S 140/56"	62000	1422						

Dimensions (mm)

APPLICATIONS

---



## NORDIK® DESIGN 1S/1SL RANGE

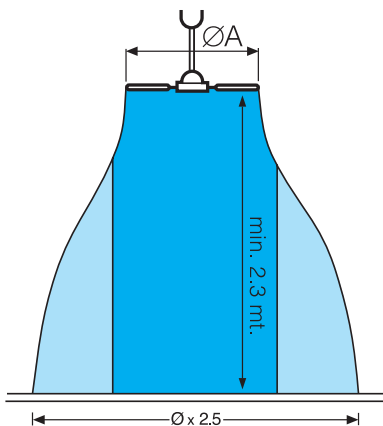
### Ceiling fans

#### PRODUCT SPECIFICATIONS



*Ideal for use in bedrooms, living rooms, shops, stores and other public places.*

- Top and bottom motor covers moulded from heat-resistant and UV-resistant thermoplastic resin (ABS), colour white.
- Wiring connections at end of ceiling rod concealed by domes moulded from impact- and UV-resistant PP, colour white.
- Nominal diameter of blades 900, 1200, 1400 and 1600 mm.
- Single phase start capacitor motor with external rotor, and shaft turning in ball bearings.
- Maximum air flow: 14000 m<sup>3</sup>/h.
- 3 sheet steel blades powder coated with scratch-resistant polyester, colour white.
- Steel ceiling rod with polyester powder coated finish, colour white, length 375 mm.
- Bag of accessories containing nuts and bolts required for assembly of blades, ceiling hook and rubber anti-vibration washer.
- Speed selectable by way of control units or Telenordik 5T remote control (optional).
- Insulation class: Cl.I ⊕.

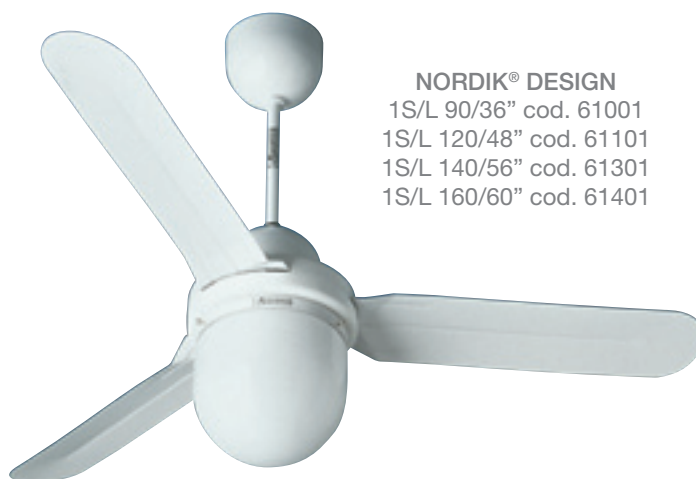




**NORDIK® DESIGN**  
1S 90/36" cod. 61052  
1S 120/48" cod. 61260  
1S 140/56" cod. 61360  
1S 160/60" cod. 61460



**NORDIK® DESIGN**  
1S/L 90/36" cod. 61001  
1S/L 120/48" cod. 61101  
1S/L 140/56" cod. 61301  
1S/L 160/60" cod. 61401



## TECHNICAL DATA

Models	Code	Color	V	Hz	W	A	RPM	Nr. Blade	Max Airflow m <sup>3</sup> /h	Kg
NORDIK® DESIGN 1S 90/36"	61160	white	220-240	70	50	0.32	235	3	8730	5.0
NORDIK® DESIGN 1S 120/48"	61260					0.33	205		11820	5.5
NORDIK® DESIGN 1S 140/56"	61360					0.34	215		13680	5.6
NORDIK® DESIGN 1S 160/60"	61460						14000		6.6	
NORDIK® DESIGN 1S/L 90/36"	61001			175		0.725	235		8730	6.3
NORDIK® DESIGN 1S/L 120/48"	61101						205		11820	6.5
NORDIK® DESIGN 1S/L 140/56"	61301						215		13680	6.7
NORDIK® DESIGN 1S/L 160/60"	61401								14000	7.7



# NORDIK® DESIGN 1S/1SL RANGE

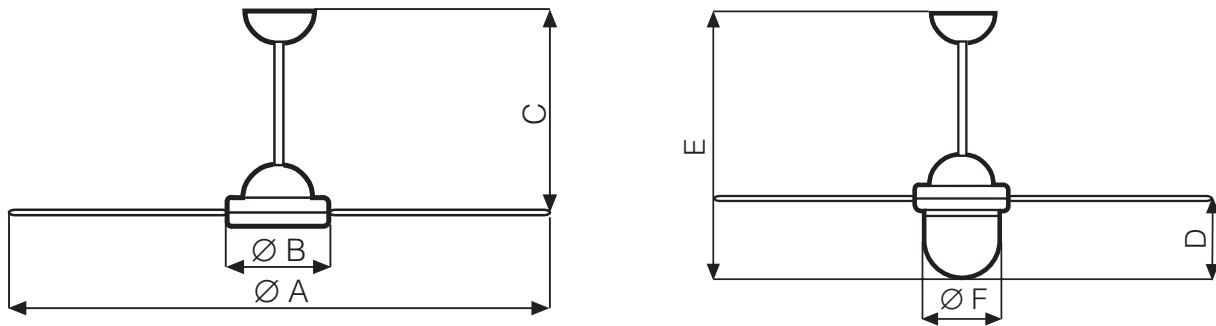
## Ceiling fans

NORDIK® DESIGN 1S/1SL RANGE | TECHNICAL DATA FOR REGULATION N° 206/2012 UE

Code	Symbol	Unit	1S 90/36"	1S 120/48"	1S 140/56"	1S 160/60"	1S/L 90/36"	1S/L 120/48"	1S/L 140/56"	1S/L 160/60"
			61160	61260	61360	61460	61001	61101	61301	61401
Maximun fan air flow	F	m³/min	145.50	197.00	228.00	233.33	145.50	197.00	228.00	233.33
Fanpower input	P	W	70	70	70	70	175	175	175	175
Service value	SV	(m³/min)W	2.029	2.814	3.257	3.333	0.661	0.895	1.036	1.061
Standby power consumption	PSB	kW	-	-	-	-	-	-	-	-
Fan sound power level	LWA	dB(A)	44.9	49.1	52.1	55.5	44.9	49.1	52.1	55.5
Maximum air velocity	C	m/sec	2.53	2.00	1.72	1.54	2.53	2.00	1.72	1.54
Measurement standard for service value	IEC 60879; EN62301: UNI EN ISO 3741									

For more information refer to: Vortice Elettrosociali Spa, Strada Cerca, 2 - 20067 Zoate di Tribiano (MI) Italia

### DIMENSIONS



Models	Code	Ø A	Ø B	C	D	E	Ø F
1S 90/36"	61160	914	230	495	-	-	-
1S 120/48"	61260						
1S 140/56"	61360						
1S 160/60"	61460						
1S/L 90/36"	61001	1422	230	495	190	685	208
1S/L 120/48"	61101						
1S/L 140/56"	61301						
1S/L 160/60"	61401						

Dimensions (mm)

APPLICATIONS





## NORDIK® INTERNATIONAL PLUS RANGE Ceiling fans

### PRODUCT SPECIFICATIONS

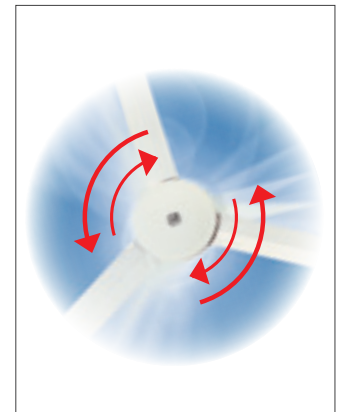
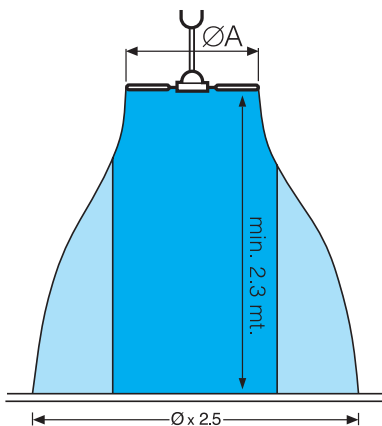


*Ideal for use in bedrooms, living rooms, shops, stores and other public places.*

- Nominal diameter of blades 900, 1200, 1400 and 1600 mm.
- Top and bottom motor covers moulded from heat-resistant and UV-resistant thermoplastic resin (ABS), colour white.
- Wiring connections at end of ceiling rod concealed by domes moulded from impact- and UV-resistant PP, colour white.
- Single phase start capacitor motor with external rotor, and shaft turning in ball bearings. Direction of rotation reversible.
- Maximum air flow: 14000 m<sup>3</sup>/h.
- 3 sheet steel blades powder coated with scratch-resistant polyester, colour white.
- Steel ceiling rod with polyester powder coated finish, colour white, length 375 mm.
- Bag of accessories containing nuts and bolts required for assembly of blades, ceiling hook and rubber anti-vibration washer.
- Factory-prepared to accept Light Kit (optional), suitable for lamp rated 150W. max with E27 screw fitting, or equivalent energy-saving lamp with E27 screw fitting.
- Speed selectable by way of control units (optional).
- Insulation class: Cl.I ⊕.

#### Reverse function:

it allows to reverse the air flow direction from floor to ceiling: this means that the flow is no longer direct, but wider and more all-round. It also helps reducing the difference in temperature between the floor (where the temperature is lower) and the ceiling (where it is in winter time).







**NORDIK® INTERNATIONAL PLUS**

90/36" cod. 61701  
120/48" cod. 61711  
140/56" cod. 61721  
160/60" cod. 61731

**TECHNICAL DATA**

Models	Code	Color	V	Hz	W	A	RPM	Nr. Blade	Max Airflow m³/h	Kg
NORDIK® INTERNATIONAL PLUS 90/36"	61701	white	220-240	50	70	0.32	231	3	8550	5.5
NORDIK® INTERNATIONAL PLUS 120/48"	61711					234	9900		5.9	
NORDIK® INTERNATIONAL PLUS 140/56"	61721					231	13500		6.2	
NORDIK® INTERNATIONAL PLUS 160/60"	61731					201	14000		6.7	

# NORDIK® INTERNATIONAL PLUS RANGE

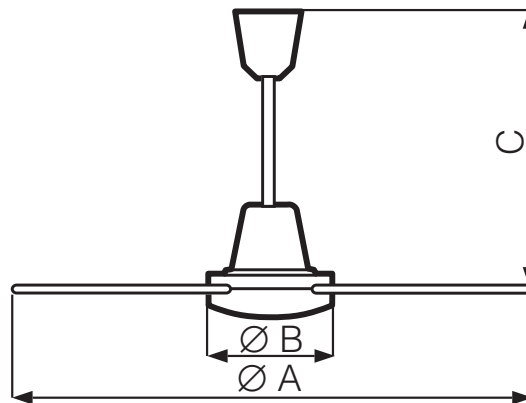
## Ceiling fans

NORDIK® INTERNATIONAL PLUS RANGE | TECHNICAL DATA FOR REGULATION N° 206/2012 UE

Code	Symbol	Unit	90/36"	120/48"	140/56"	160/60"
			61701	61711	61721	61731
Maximun fan air flow	F	m <sup>3</sup> /min	142.50	165.00	224.50	224.50
Fanpower input	P	W	70	70	70	70
Service value	SV	(m <sup>3</sup> /min)W	2.036	2.357	3.207	3.207
Standby power consumption	PSB	kW	-	-	-	-
Fan sound power level	LWA	dB(A)	46.1	49.1	54.1	54.1
Maximum air velocity	C	m/sec	2.47	1.68	2.28	2.28
Measurement standard for service value	IEC 60879; EN62301: UNI EN ISO 3741					

For more information refer to: Vortice Elettrosociali Spa, Strada Cerca, 2 - 20067 Zoate di Tribiano (MI) Italia

### DIMENSIONS



Models	Code	ØA	ØB	C
NORDIK® INTERNATIONAL PLUS 90/36"	61701	914	230	495
NORDIK® INTERNATIONAL PLUS 120/48"	61711	1218		
NORDIK® INTERNATIONAL PLUS 140/56"	61721	1422		
NORDIK® INTERNATIONAL PLUS 160/60"	61731	1524		

Dimensions (mm)

APPLICATIONS





## NORDIK® EVOLUTION RANGE

### Ceiling fans

#### PRODUCT SPECIFICATIONS

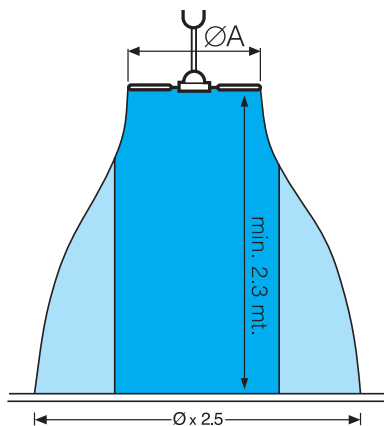
*Ideal for use in bedrooms, living rooms, shops, stores and other public places.*



- Nominal diameter of blades 900, 1200, 1400 and 1600 mm.
- Top and bottom motor covers moulded from heat-resistant and UV-resistant thermoplastic resin (ABS), colour white.
- Wiring connections at end of ceiling rod concealed by domes moulded from impact- and UV-resistant thermoplastic resin (PP).
- Four colour finishes: white, silver, black and briar wood.
- Single phase start capacitor motor with external rotor, and shaft turning in ball bearings. Direction of rotation reversible.
- Maximum air flow 17011 m<sup>3</sup>/h.
- 3 sheet steel blades powder coated with scratch-resistant polyester.
- Steel ceiling rod with scratch-resistant polyester powder coated finish, length 375 mm.
- Bag of accessories containing nuts and bolts required for assembly of blades, ceiling hook and rubber anti-vibration washer.
- Factory-prepared to accept 2 specific optional light kits: with lamp rated 105 W max, E27 screw fitting; with 2x15 W max energy saving lamp, E27 screw fitting (mandatory in EU).
- Speed selectable by way of control units or Telenordik 5TR remote control (optional).
- Insulation class: Cl.I ⊕

#### Reverse function:

it allows to reverse the air flow direction from floor to ceiling: this means that the flow is no longer direct, but wider and more all-round. It also helps reducing the difference in temperature between the floor (where the temperature is lower) and the ceiling (where it is in winter time).

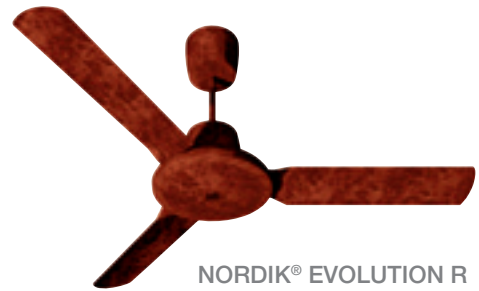




**NORDIK® EVOLUTION R**  
90/36" cod. 61750  
120/48" cod. 61751  
140/56" cod. 61752  
160/60" cod. 61753



**NORDIK® EVOLUTION R**  
120/48" cod. 61756  
120/56" cod. 61759



**NORDIK® EVOLUTION R**  
120/48" cod. 61755  
120/56" cod. 61758



**NORDIK® EVOLUTION R**  
120/48" cod. 61754  
120/56" cod. 61757

## TECHNICAL DATA

Models	Code	Color	V	Hz	W	A	RPM	Nr. Blade	Max Airflow m³/h	Kg
NORDIK® EVOLUTION R 90/36"	61750	white	220-240	50	70	0.32	200	3	11592	6.4
NORDIK® EVOLUTION R 120/48"	61751	white				0.33	198		13810	6.8
	61754	silver				0.34				
	61755	wood grain								
	61756	black								
NORDIK® EVOLUTION R 140/56"	61752	white				0.725	197		16586	7.1
	61757	silver								
	61758	wood grain								
	61759	black								
NORDIK® EVOLUTION R 160/60"	61753	white								193





# NORDIK® EVOLUTION RANGE

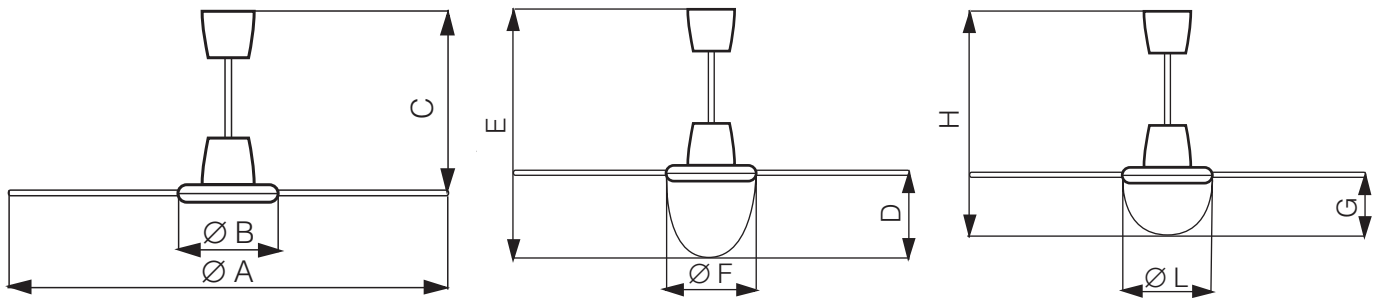
## Ceiling fans

NORDIK® EVOLUTION RANGE | TECHNICAL DATA FOR REGULATION N° 206/2012 UE

Code	Symbol	Unit	90/36"	120/48"	140/56"	160/60"	120/48"	140/56"	120/48"	140/56"	120/48"	140/56"
			61750	61751	61752	61753	61754	61757	61756	61759	61755	61758
Maximun fan air flow	F	m³/min	193.20	230.17	276.43	283.52	230.17	276.43	230.17	276.43	230.17	276.43
Fanpower input	P	W	70	70	70	70	70	70	70	70	70	70
Service value	SV	(m³/min)W	2.760	3.288	3.949	4.050	3.288	3.949	3.288	3.949	3.288	3.949
Standby power consumption	PSB	kW	-	-	-	-	-	-	-	-	-	-
Fan sound power level	LWA	dB(A)	46.1	49.1	52.6	55.6	49.1	52.6	49.1	52.6	49.1	52.6
Maximum air velocity	C	m/sec	3.35	2.34	2.08	1.87	2.34	2.08	2.34	2.08	2.34	2.08
Measurement standard for service value	IEC 60879; EN62301: UNI EN ISO 3741											

For more information refer to: Vortice Elettrosociali Spa, Strada Cerca, 2 - 20067 Zoate di Tribiano (MI) Italia

### DIMENSIONS



Models	Code	Ø A	Ø B	C	D	E	Ø F	G	H	Ø L
90/36"	61750	980	298	495	229	724	291	145	640	291
120/48"	61751	1284								
	61754									
	61755									
	61756									
140/56"	61752	1488								
	61757									
	61758									
160/60"	61753	1590								

Dimensions (mm)



APPLICATIONS



# NORDIK® EVOLUTION *Gold*

## Ceiling fans

### PRODUCT SPECIFICATIONS

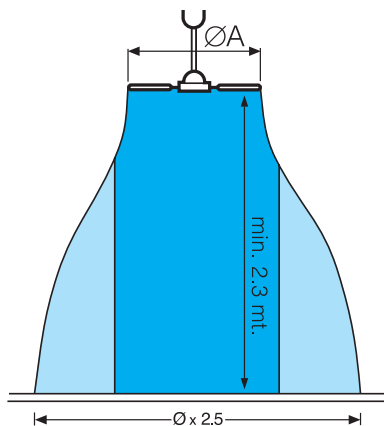
*Ideal for use in bedrooms, living rooms, shops, stores and other public places.*



- Nominal diameter of blades 1200 and 1400 mm.
- Top and bottom motor covers moulded from heat-resistant and UV-resistant thermoplastic resin (ABS), “metal looking” mirror finish, colour WHITE GOLD or BLACK GOLD.
- Wiring connections at end of ceiling rod concealed by domes moulded from impact- and UV-resistant thermoplastic resin (PP).
- Single phase start capacitor motor with external rotor, and shaft turning in ball bearings. Direction of rotation reversible.
- Maximum air flow 16586 m<sup>3</sup>/h
- 3 sheet steel blades powder coated with scratch-resistant polyester.
- Steel ceiling rod with scratch-resistant polyester powder coated finish, length 375 mm.
- Bag of accessories containing nuts and bolts required for assembly of blades, ceiling hook and rubber anti-vibration washer.
- Possibility of automatic adjustment up to 16 fans simultaneously, in relation to the differential measured by two temperature sensors (VORT DELTA T optional).
- Factory-prepared to accept 2 specific optional light kits: with lamp rated 105 W max, E27 screw fitting; with 2x15 W max energy saving lamp, E27 screw fitting (mandatory in EU).
- Speed selectable by way of control units or Telenordik 5TR remote control (optional)
- Insulation class: Cl.I ⊕

#### Reverse function:

it allows to reverse the air flow direction from floor to ceiling: this means that the flow is no longer direct, but wider and more all-round. It also help reducing the difference in temperature between the floor (where the temperature is lower) and the ceiling (where it is in winter time).





NORDIK® EVOLUTION WHITE GOLD  
120/48" cod. 61733  
120/56" cod. 61734



NORDIK® EVOLUTION BLACK GOLD  
120/48" cod. 61735  
120/56" cod. 61736

## TECHNICAL DATA

Models	Code	Color	V	Hz	W	A	RPM	Nr. Blade	Max Airflow m³/h	Kg
NORDIK® EVOLUTION R 120/48" WHITE GOLD	61733	white gold	220-240	50	70	0.34	198	3	13810	6.8
NORDIK® EVOLUTION R 120/48" BLACK GOLD	61735	black gold				0.35	197			
NORDIK® EVOLUTION R 140/56" WHITE GOLD	61734	white gold								
NORDIK® EVOLUTION R 140/56" BLACK GOLD	61736	black gold								



# NORDIK® EVOLUTION Gold

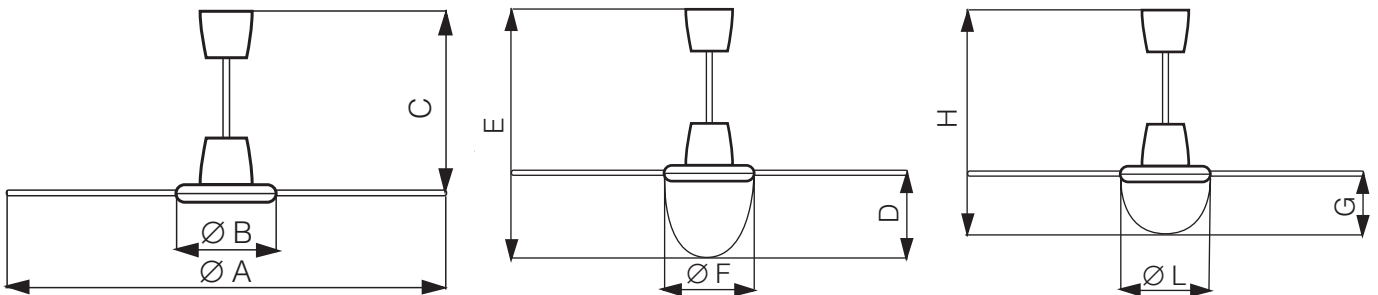
## Ceiling fans

NORDIK® EVOLUTION GOLD | TECHNICAL DATA FOR REGULATION N° 206/2012 UE

Code	Symbol	Unit	120/48"	140/56"	120/48"	140/56"
			61733	61734	61735	61736
Maximun fan air flow	F	m <sup>3</sup> /min	230.17	276.43	230.17	276.43
Fanpower input	P	W	70	70	70	70
Service value	SV	(m <sup>3</sup> /min)W	3.288	3.949	3.288	3.949
Standby power consumption	PSB	kW	-	-	-	-
Fan sound power level	LWA	dB(A)	49.1	52.6	49.1	52.6
Maximum air velocity	C	m/sec	2.34	2.08	2.34	2.08
Measurement standard for service value	IEC 60879; EN62301: UNI EN ISO 3741					

For more information refer to: Vortice Elettrosociali Spa, Strada Cerca, 2 - 20067 Zoate di Tribiano (MI) Italia

### DIMENSIONS



Models	Code	Ø A	Ø B	C	D	E	Ø F	G	H	Ø L
120/48"	61733	298	495	495	229	724	291	145	640	291
140/56"	61734									
120/48"	61735									
140/56"	61736									

Dimensions (mm)



APPLICATIONS

---



# ACCESSORIES NORDIK® RANGE

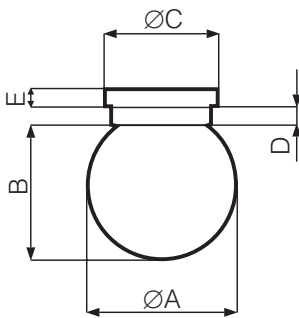
## Ceiling fans

### LIGHT KIT

DECOR LIGHT KIT (cod. 22416)



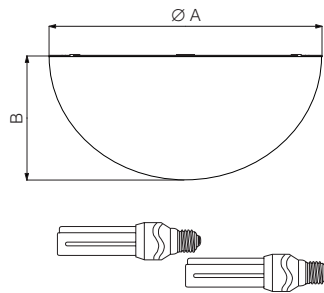
- Kit for all the Nordik® International Plus models.
- Lamp: max 150 W with E27 fitting.



EVOLUTION LIGHT KIT ES (cod. 22414)



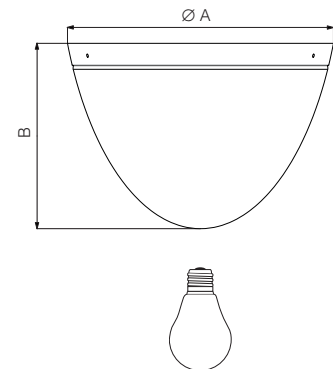
- Lighting system kit for all Nordik Evolution fans.
- Model for two energy saving lamps with Edison E27 fittings and maximum power output of 15 W each (equivalent to 75 W each).
- Diffuser globe made of strong laminated glass with opaque finish.
- Lamp max 15 W.
- Length=165 mm max.
- Not suitable for incandescent bulbs.



EVOLUTION LIGHT KIT (cod. 22413)



- Lighting system kit for all Nordik® Evolution fans.
- Model for one traditional incandescent bulb with Edison E27 fitting and maximum power output of 150 W.
- Diffuser made of opalescent laminated glass.



Models	Code	ØA	B	ØC	D	E	Kg
Decor Light Kit	22416	200	180	130	35	20	1.8
Evolution Light Kit ES	22414	291	120	-	-	-	1.0
Evolution Light Kit	2241		203	-	-	-	1.6

Dimensions (mm)

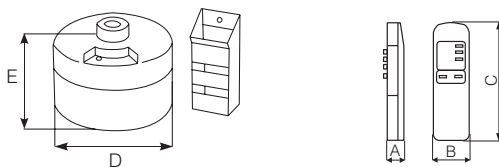
## INFRARED REMOTE-CONTROLS

- Uses infrared transmission to eliminate possible interference with radios or other electrical units.
- Set consists of a receiver, which is fitted to the fan ceiling rod, a transmitter, which sends the desired commands to the fan and a transmitter carrying case which can be fixed to the wall.
- Provided with LED indicators showing operation and “stand-by” status (power on).
- Remote-control range: approximately 13 meters line of sight.
- Fan and remote-control unit are both IMQ approved.
- Easy to install as connections between the fan and fixed speed regulator are not necessary.
- Transmitter can control any TeleNordik receiver.

### TELENORDIK 5T (cod. 22387)



- Suitable for fans with or without light.
- 5 selectable speeds, as well as fan and light on/off switch.
- “Timer” button to set fan turn-on and turn-off times (approx. 1 hour interval).



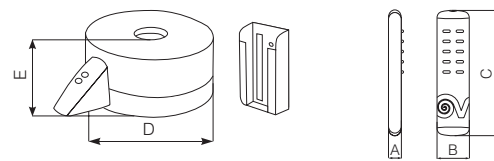
Models	A	B	C	D	E
5T	22	42	150	140	90
5TR	20	43	155	154	62

Dimensions (mm)

### TELENORDIK 5TR (cod. 22386)



- New infrared remote control 5 speeds-timer-reverse
- The receiver is hidden inside the fan casing, with only the tip in which the sensor is located protruding.



	Units	5 T 22387	5 TR 22386
Code		22387	22386
Remote control	-	infra red	infra red
Receiver Volt at 50 Hz	Hz	220-240	220-240
Stand by	W	0.463	0.558
Maximum load Watt	W	100	100
Transmitter battery	-	2 x AAA 1.5 V	2 x AAA 1.5 V
Receiver	Kg	0.76	0.76
Transmitter	Kg	0.06	0.06
Insulation	-	Cl. II	Cl. II



# ACCESSORIES NORDIK® RANGE

## Ceiling fans

### FLUSH OR WALL MOUNTED CONTROLS

SC 503 B (cod. 12801)



SC 503 N (cod. 12802)



SC EXT B (cod. 12803)



Thanks to their simple innovative design, these units more than meet the aesthetics expected of them for both domestic and commercial applications. Backing plate, knob, sliders and adapters made from polycarbonate; face plate and controller for wall mounting made from UV-resistant ABS. On the white and anthracite grey flush mounted versions, the knob and face plate are in matching colours. Both the flush and wall mounted version come with:

- knob with settings from 0 to 5 for various speeds (0 = OFF, 1- 5 = fan speed);
- a LED that shows when the fan is ON.
- two slider switches - one for the light and the other to reverse the fan (where applicable).
- Vortice ceiling fan controls are IMQ approved solely and exclusively for use with Vortice ceiling fans.



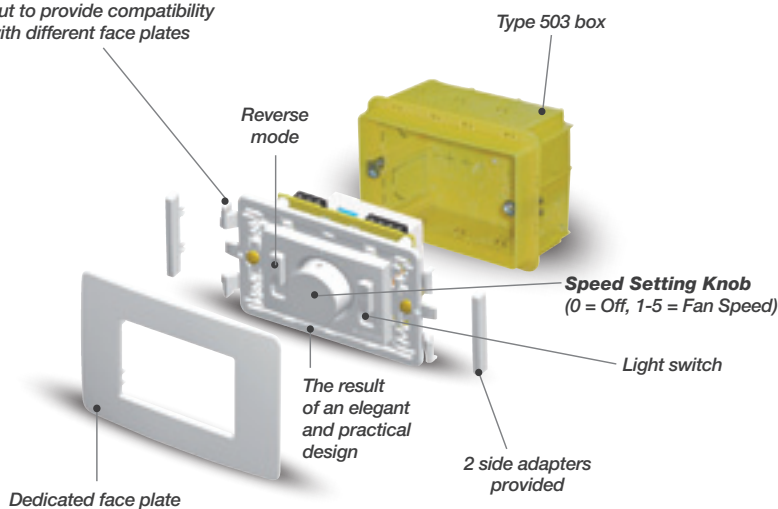
**Available optional ancillaries:**

- white face plate code 22462
- anthracite grey face plate code 22463



Recessed versions, thanks to an intermediate adjustable support, can be coupled with various existing standard face plates, satisfying diverse aesthetic requirements.

Support with 4 side teeth to be cut to provide compatibility with different face plates



Power supply voltage (V): 220 - 240
Power supply frequency (Hz): 50
Max power consumption (W): 18

## SPEED CONTROLLER

### NORDIK DECOR AND DESIGN 1S/1SL RANGE

SCNR5 (cod. 12955)



- 5 position speed controller for ceiling-mounted fans without light.
- Convertible to flush-mounted using SCB5 Kit.
- 220-240V ~ 50 Hz.
- Maximum load: 100W.
- Weight: 0.58 Kg.
- Double insulation.

SCNRL5 (cod. 12957)



- 5 position speed controller for ceiling-mounted fans with light.
- Convertible to flush-mounted using SCB5 Kit.
- 220-240V ~ 50 Hz.
- Maximum load: 250W.
- Weight: 0.58 Kg.
- Double insulation.

SCNR/M (cod. 12982)



- Electronic speed controller for use with up to 6 ceiling-mounted fans.
- Convertible to flush-mounted.
- 220-240V ~ 50 Hz.
- Maximum load: 450W (2.5 A).
- Weight: 0.2 Kg.
- Double insulation.

KIT SCB (cod. 22481)



- Kit to convert C 2.5 electronic speed controller from surface to flush mounted.

KIT SCB5 (cod. 22483)



- Kit to convert SCNR5 and SCNRL5 5 position controllers from surface to flush mounted.

### NORDIK INTERNATIONAL PLUS, HD AND EVOLUTION RANGE

SCRR5 (cod. 12963)



- 5-position reversible speed controller for ceiling-mounted fans without light.
- Convertible to flush-mounted using SCBRR5/5L/M.
- 220-240V ~ 50 Hz.
- Maximum load: 100W.
- Weight: 0.58 Kg.
- Double insulation.

SCRR5L (cod. 12964)



- 5-position reversible speed controller for ceiling-mounted fans with light.
- Convertible to flush-mounted using SCBRR5/5L/M.
- 220-240V ~ 50 Hz.
- Maximum load: 250W.
- Weight: 0.58 Kg.
- Double insulation.

SCRR/M (cod. 12965)



- Electronic reversible speed controller for use with up to 6 ceiling-mounted fans.
- Convertible to flush mounted using SCBRR5/5L/M.
- 220-240V ~ 50 Hz.
- Maximum load: 450W (2.5 A).
- Weight: 0.2 Kg.
- Double insulation.

KIT SCBRR5/5L/M BUILT-IN (cod. 22489)



- Kit to convert SCRR5 and SCRR5L position controllers from surface to flush-mounted.



## ACCESSORIES NORDIK® RANGE

### Ceiling fans

#### MULTIPLE SPEED CONTROLLER

### VORT DELTA T (Cod. 13039)

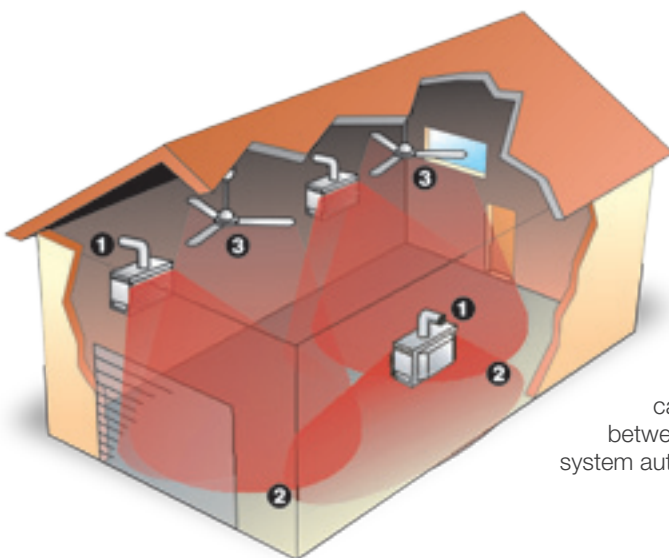
#### Multiple speed controller up to 16 ceiling fans

*The intelligent control system. Simply clever: Intelligent management ensures optimal, draughtfree operation Vort Delta T - the heart of the System.*

- The new, intelligent control unit Vort Delta T is equipped with two semiconductor temperature sensors (included in the package), installed respectively at ceiling and floor level.
- Electrical power is with a normal two-phase cable, of up to 50 metres in length.
- The control unit registers the temperature at ceiling and floor level up to 60 times per minute, calculates the temperature differential and in accordance with this, regulates the operating speed of the fans. When the heat layer has been dissipated and the temperature differential has been reduced to an acceptable level, the Vort Delta T automatically switches the fans off.
- The minimal temperature differential, at which level the unit is activated, is adjustable, as are the lower and higher rotational fan speeds so as to avoid draughts. This also applies to permanent operation (e.g. during summer for cooling).
- This fully automatic control system governs the system optimally, without necessitating adjustment by the users. In this manner, unauthorised meddling with the system is impossible.



VORT DELTA T - cod. 13039



- ① The commercial building has a warm air heating system.
- ② With the aid of adjustable laminar blades, the warm air is directed downwards in the recreation or working area.
- ③ Due to the fact that warm air has a lower specific weight than cold air, the warm air rises to ceiling height and accumulates there. The sensor controls registers the increasing temperature difference between the floor and ceiling. The Nordik fans are controlled so that the warm air from the ceiling is conducted back into the recreating or working area without causing a draught. As soon as the temperature difference between the ground and ceiling areas is in equilibrium, the Vort Delta T system automatically switches the fans off.

## CEILING RODS

Various lengths to enable installation at desired height.



Range	Colour	Lengths (mm)								
		200	250	290	350	500	665	750	915	1000
Evolution	white	22032	22033	-	22042	22051	-	22074	-	22077
Design / Decor	white	22030	22034	-	22040	22052	-	22072	-	22075
Evolution	black	-	22036	-	22037	22038	-	22039	-	22043
Decor / Evolution	wood-grain	22079	22047	-	22058	22092	-	22064	-	22071
Evolution	Silver	22023	22024	-	22026	22027	-	22028	-	22029
Evolution	white gold	22681	22682	-	22683	22684	-	22685	-	22686
Evolution	black gold	22692	22687	-	22688	22689	-	22690	-	22691





Cod. 5.170.084.704

10/16

Vortice Elettrosociali S.p.A  
Strada Cerca, 2  
Frazione di Zoate  
20067 Tribiano (Milano)  
Tel. (+39) 02 906991  
Fax (+39) 02 90699314  
Italia  
[www.vortice-export.com](http://www.vortice-export.com)  
[export@vortice-italy.com](mailto:export@vortice-italy.com)

Vortice France  
15-33, Rue Le Corbusier  
CS 30007  
94046 Créteil Cedex  
Tél. (+33) 1.55.12.50.00  
Fax (+33) 1.55.12.50.01  
France  
[www.vortice-france.com](http://www.vortice-france.com)  
[contact@vortice-france.com](mailto:contact@vortice-france.com)

Vortice Limited  
Beeches House-Eastern Avenue  
Burton on Trent  
DE13 0BB  
Tel. (+44) 1283-49.29.49  
Fax (+44) 1283-54.41.21  
United Kingdom  
[www.vortice.ltd.uk](http://www.vortice.ltd.uk)  
[sales@vortice.ltd.uk](mailto:sales@vortice.ltd.uk)

