

Technical Data Sheet

CODE 15199

TORRETTA TRM 50 E-V 4P

Centrifugal roof fans with vertical discharge



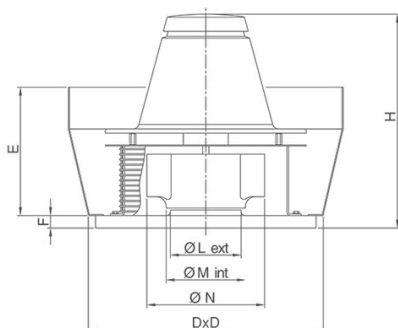
Certifications



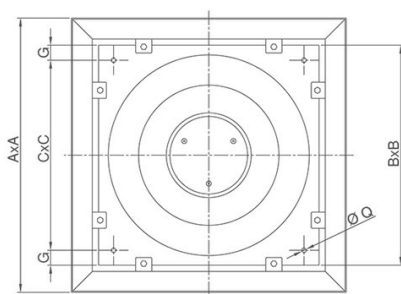
TECHNICAL AND PERFORMANCE DATA

Absorbed Current max (A)	3,70	Number of Poles	4
Absorbed Power max (W)	800	Voltage (V)	230
Frequency (Hz)	50	Weight (Kg)	51
Insulation Class	I°	Delivery max (l/s)	1333
Max ambient temperature for continuous operation (°C)	80	Delivery max (m³/h)	4800
Motor IP protection	55	Pressure max (mmH2O)	55
Nominal Diameter (mm)	300	Pressure max (Pa)	540
Number of Phases (Ph)	1	RPM	1480
		Sound Pressure level Lp [dB (A)] 3m	72,5

DIMENSIONS



Size A (mm)	907
Size B (mm)	550
Size C (mm)	500
Size D (mm)	580
Size E (mm)	432
Size F (mm)	38
Size G (mm)	25
Size H (mm)	631
Size L (mm)	278



PER INFORMAZIONI:

Servizio al Cliente: tel +39 02 90699395 premendo 1 dopo messaggio registrato (consulenza su prodotti e impianti)

Pre & Post Vendita: fax +39 02 90699302

Email prevendita: prevendita@vortice-italy.com

Technical Data Sheet

CODE 15199

TORRETTA TRM 50 E-V 4P

Centrifugal roof fans with vertical discharge



DESCRIPTION

- Base manufactured from phosphated pressed steel, epoxy powder coated with hammered effect finish, guaranteeing long-term resistance to atmospheric agents.
- Aerodynamically contoured inlet port for optimum performance, fashioned as a single unit with the base and gauged to optimize air flow.
- Pressed steel motor cover: pickled and phosphated surface, polyester powder coated and oven baked finish, colour grey, with hammered texture.
- Pressed steel side baffles angled to exhaust extracted air upwards: zinc-coated, pickled and phosphated surface, polyester powder coated and oven baked finish, colour grey, with hammered texture.
- Accident prevention and anti-bird grilles (to UNI ISO 13857 standard), consisting of electrically welded steel rings with epoxy powder coated finish, colour black.
- Centrifugal aluminium impeller with self-cleaning backward curved blades, dynamically balanced (UNI ISO 1940, Point 1 – Class 6.3), and splined aluminium hub.
- 1 speed single phase AC motor, size to UNEL MEC standard, flange B5, with shaft turning in double shielded ball bearings, insulation class F.
- Maximum air flow: 4800 m3/h.
- Equipped with capacitor to EN 60252-1 standard, IMQ certified.
- Cooling fan for better dissipation of heat
- Galvanized steel eye lugs for transport and lifting/handling operations.
- Cable guaranteeing continuity of earth connection.
- Steel safety wire for anchoring appliances once installed.
- Vortice speed controller.

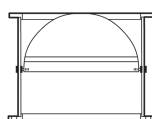
ACCESSORIES



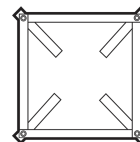
IRM 50
Code 12928



IREM 5 CD
99250081
Code 12932



TR-S 20/30/50
(SERRANDA A
GRAVITA')
Code 22510



TR-CU 20/30/50
(CONTROTELAIO
DI BASE U)
Code 22512

PER INFORMAZIONI:

Servizio al Cliente: tel +39 02 90699395 premendo 1 dopo messaggio registrato (consulenza su prodotti e impianti)

Pre & Post Vendita: fax +39 02 90699302

Email prevendita: prevendita@vortice-italy.com