

Technical Data Sheet

CODE 17023

VORTICE LINEO 150 T V0

In-line mixed flow fans



Certifications



IMQ Performance



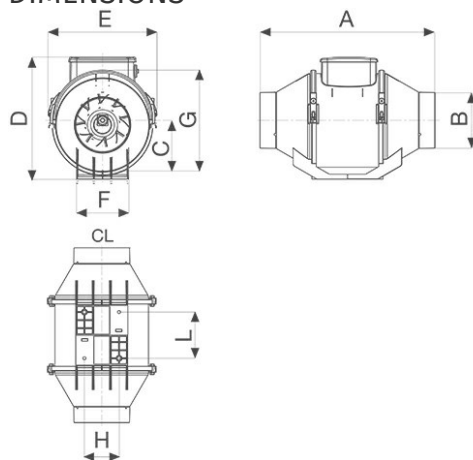
C Tick Mark



TECHNICAL AND PERFORMANCE DATA

Absorbed power 1st speed (W)	40	Delivery 1st speed (l/s)	106,9
Absorbed Power max (W)	58	Delivery 1st speed (m ³ /h)	385
Frequency (Hz)	50	ELIM Max sound pressure [dB(A)] 3m	50,5
Insulation Class	II ^o	Max delivery at max speed (l/s)	152,8
IP	44	Max delivery at max speed (m ³ /h)	550
Max ambient temperature for continuous operation (°C)	60	Pressure - 1st speed (mmH2O)	21
Max. absorbed Current at max. speed (A)	0,26	Pressure - 1st speed (Pa)	206
Max. absorbed Current at min. speed (A)	0,18	Pressure max - max speed (mmH2O)	27
Max. absorbed power at max speed (W)	58	Pressure max - max speed (Pa)	264,9
Voltage (V)	220-240	RPM max	2100
Weight (Kg)	2,4	RPM min	1580
		Sound pressure level Lp [dB (A)] 3m - min speed	41,4

DIMENSIONS



Size A (mm)	214,5
Size B (mm)	234
Size C (mm)	294
Size D (mm)	146
Size E (mm)	112,5
Size F (mm)	212
Size G (mm)	110
Size H (mm)	60
Size L (mm)	80
Size M (mm)	6

PER INFORMAZIONI:

Servizio al Cliente: tel +39 02 90699395 premendo 1 dopo messaggio registrato (consulenza su prodotti e impianti)

Pre & Post Vendita: fax +39 02 90699302

Email prevendita: prevendita@vortice-italy.com

Technical Data Sheet

CODE 17023

VORTICE LINEO 150 T V0

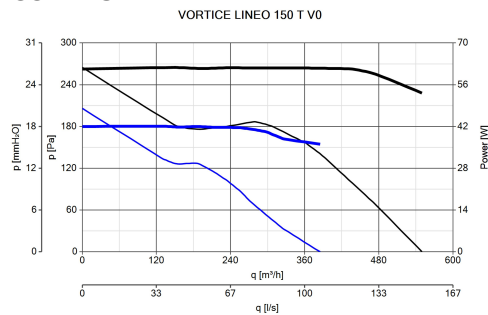
In-line mixed flow fans



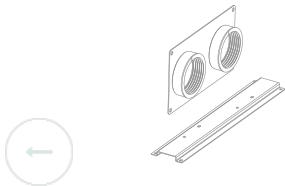
DESCRIPTION

- Material: self-extinguishing plastic resin (self-extinguishing capability V0)
- Nominal diameter 150 mm.
- 2 speed AC motor with thermal overload cutout and shaft turning in ball bearings, coupled to mixed flow axial-centrifugal impeller.
- Minimum air flow 385 m³/h
- Maximum air flow: 550 m³/h
- Equipped with an electronic timer designed to shut off the motor automatically after a set interval, selectable during installation in the range 3'-20' (default setting 3').
- IMQ SAFETY and IMQ PERFORMANCE certifications
- Vortice speed controllers.

CURVES



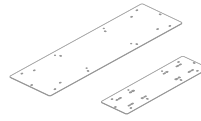
ACCESSORIES



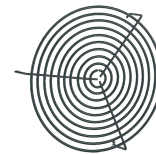
LINEO-PF 150
Code 22579



LINEO-C 150
Code 22586



LINEO-SF 500
Code 22593



LINEO-G 150
Code 22703

PER INFORMAZIONI:

Servizio al Cliente: tel +39 02 90699395 premendo 1 dopo messaggio registrato (consulenza su prodotti e impianti)
Pre & Post Vendita: fax +39 02 90699302
Email prevendita: prevendita@vortice-italy.com